

CRYSTORAMA

1958

95 Cantiague Rock Road, Westbury NY 11590
 ph:516.931.9090 fax:516.931.1254
 info@crystorama.com www.crystorama.com

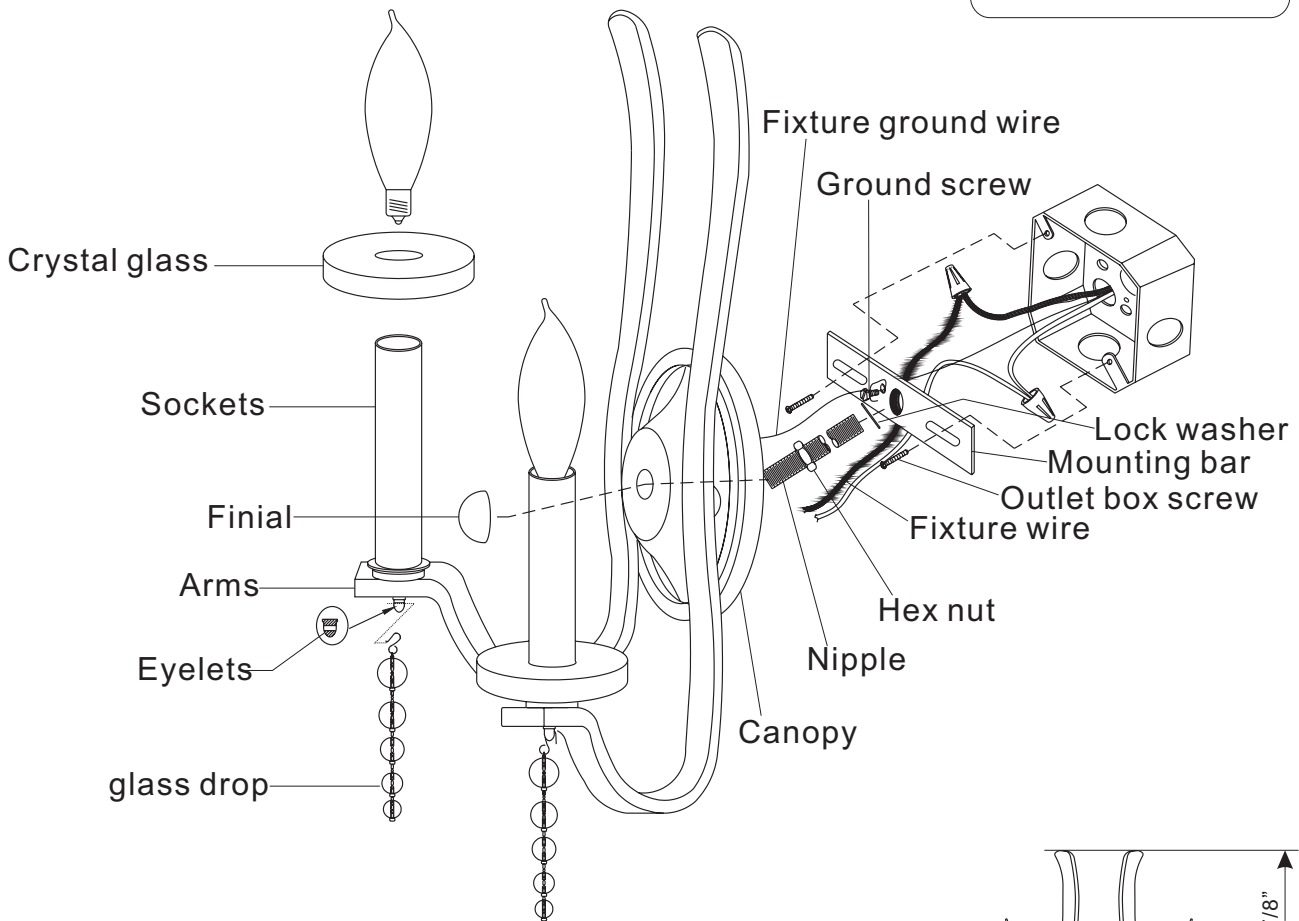
MODEL#: 1582-CH ASSEMBLY AND DRESSING INSTRUCTIONS

IMPORTANT

TURN OFF THE POWER AT THE MAIN FUSE OR CIRCUIT BREAKER BOX BEFORE STARTING INSTALLATION



You will need 2-Cand.BULB
 40 watts Recommended
 60 watts Max
 Bulb not included



Glass drop= ○○○○○ (20mm+18mm+16mm+14mm+12mm)X2pcs

