

CRYSTORAMA

LIGHTING THE WAY FOR SIXTY YEARS

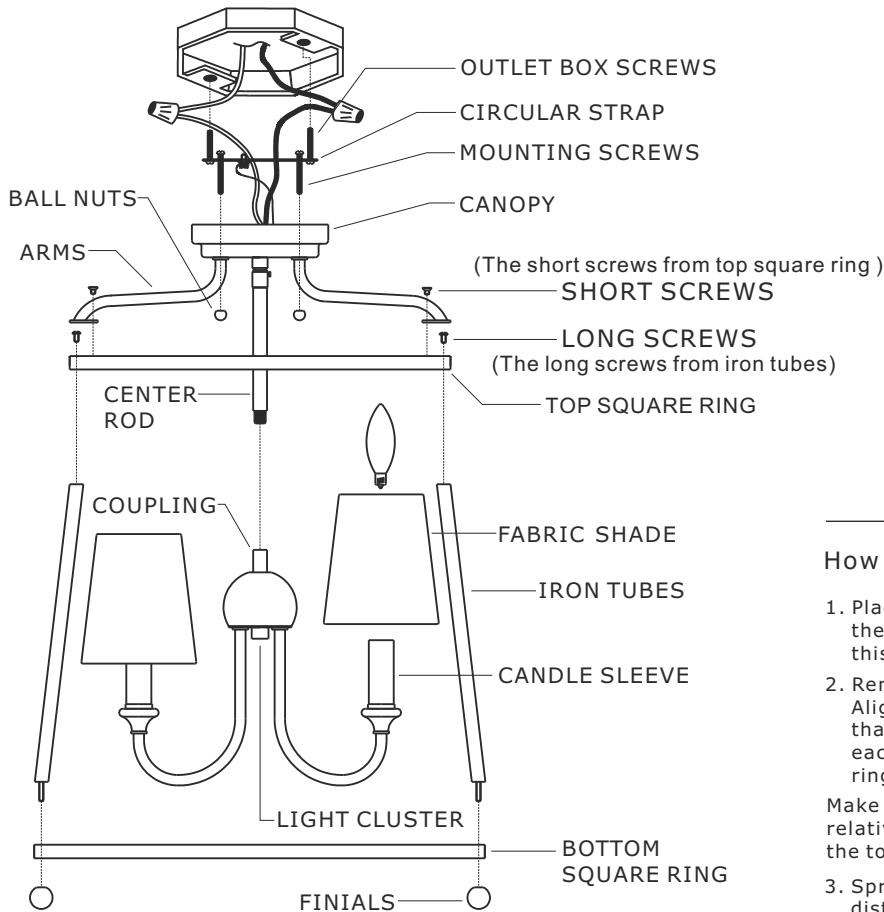
ASSEMBLY INSTRUCTION MODEL#2243-DB



All electrical components must be installed by a licensed electrician in accordance with the National Electric Code and the appropriate local electrical codes.

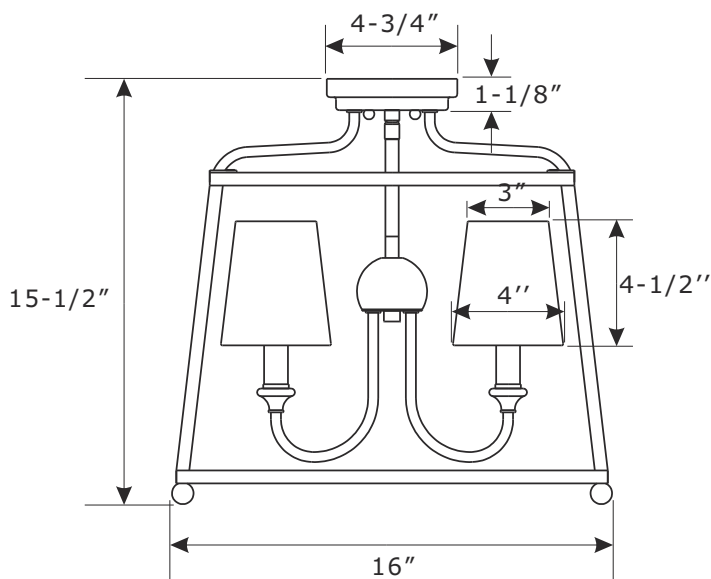


You will need 4- Candelabra Base Bulb
40 Watts Recommended 60 Watts Max.
USE LED BULBS FOR EXTENDED USE
This fixture is Dry rated



How to install

1. Place the threaded end of a iron tube into a hole on the bottom square ring. Secure with a finial. Repeat this for the other iron tubes.
2. Remove the long screw from each of the iron tubes. Align the holes on the top square ring with the holes that the long screws were removed from. Tighten each screw into the holes to secure the top square ring and the (4) iron tubes together.
Make sure that the iron tubes are assembled straight relative to the top and bottom ring before tightening the top screws and the bottom finials.
3. Spread the arms so that the arms are at equal distance from each other.
4. Slip the center rod assembly along wire and thread into the coupling located on the top of the light cluster.
5. Remove the short screw from each of the holes on the top square ring. Align the holes on the tabs of the arm assembly with the holes on the top square ring and secure together using the short screws that were removed.
6. Install the mounting screws into the matching holes in the mounting plate. Secure the mounting plate to outlet box with the outlet box screws.
7. Raise canopy allowing the mounting screws to protrude through the holes in the canopy, and secure with the ball nut.
8. Install the fabric shade onto the candle sleeve.
9. Install the bulbs(not included) into the socket.



WARNING: This product can expose you to Lead which is known to the state of California to cause cancer and/or birth defects or reproductive harm. For more information go to www.P65Warnings.ca.gov

CRYSTORAMA

LIGHTING THE WAY FOR SIXTY YEARS

ASSEMBLY INSTRUCTION MODEL#2243-DB

Part Number

Part Numbers

- A. (1)-Mounting hardware
- B. (1)-Canopy W4-3/4"xW4-3/4"xH1-1/8"
- C. (2)-Ball nut #XRF2243DBBANUT
- D. (8)-Short screw
- E. (4)-Long screw
- F. (1)-Top square ring W13-1/4"xW13-1/4"xH1/2" #XRF2243DBTOPRING
- G. (4)-Fabric shade W4"xH4-1/2" #XRF2243DBSHA4.5IN
- H. (4)-Iron tube L10-1/2"xH1/2" #XRF2243DBIRT
- I(A). (4)-Candle sleeve-DB W7/8"xL2-3/8" #XRF2243DBC DL2.375IN
- I(B). (4)-Candle sleeve-WH W7/8"xL2-3/8" #XRF2243WHC DL2.375IN
- J. (1)-Bottom square ring W15-3/4"xW15-3/4"xH1/2" #XRF2243DBBOTRING
- K. (4)-Finial #XRF2243DBFIN

