

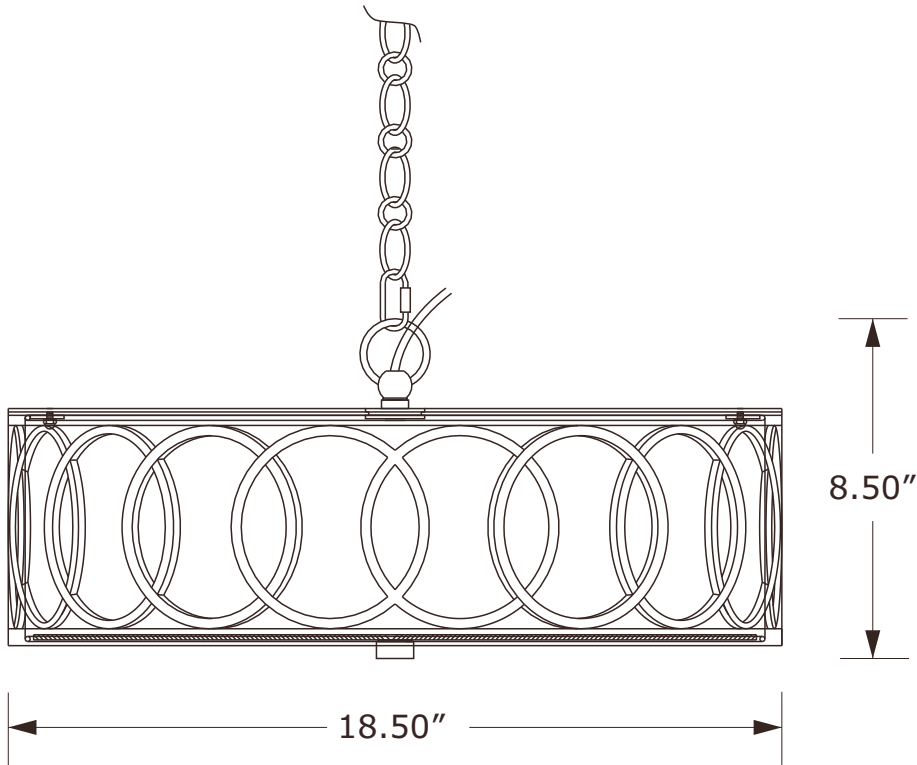
CRYSTORAMA

LIGHTING THE WAY FOR SIXTY YEARS

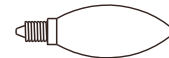


Crystorama.com

ASSEMBLY INSTRUCTION MODEL #287-GA



All electrical components must be installed by a licensed electrician in accordance with the National Electric Code and the appropriate local electrical codes.

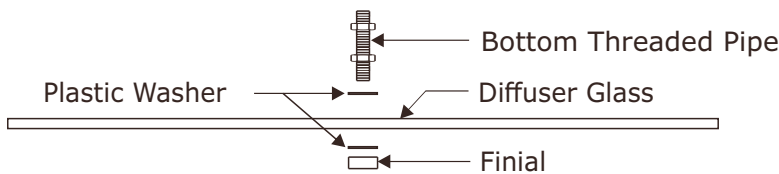


You will need 6 -Candelabra Base Bulb
40 Watts Recommended 60 Watts Max.
USE LED BULBS FOR EXTENDED USE
THIS FIXTURE IS DAMP RATED

How to Install

1. Do a complete inventory of all parts and components before you start installation.
2. Install bulbs (not included).
3. Take off two plastic washer and finial from the bottom threaded pipe.
4. Attach the bottom threaded pipe with two hex nuts into the bottom of light cluster.
5. Put one plastic washer onto the bottom of the threaded pipe then insert the glass diffuser. Put another plastic washer at the bottom of the diffuser then secure with the finial.
6. Install the mounting plate onto outlet box and secure it with the outlet box screws.
7. Open a quick link and attach one end of the chain with the fixture loop then close the quick link.
8. Thread the collar ring into the canopy.
9. Open another quick link and attach the other end of the chain (that doesn't have a quick link) with the collar loop then the link.
10. Connect fixture wires into the outlet box.
11. Raise the canopy onto the collar loop and secure it with the collar ring.
12. After safely attaching fixture into outlet box, proceed to connecting the power.

DETAILED ILLUSTRATION

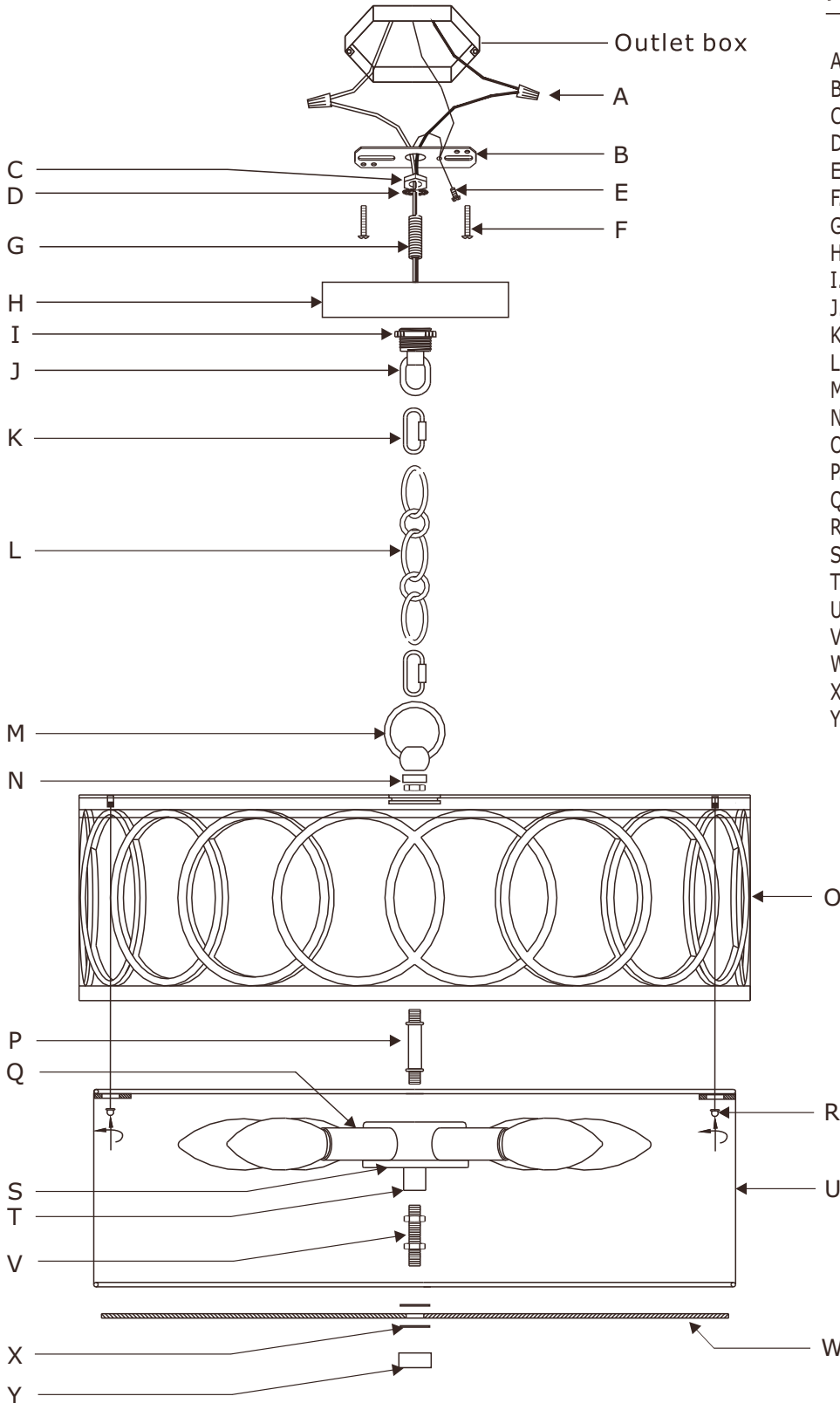


WARNING: This product can expose you to Lead, which is known to the State of California to cause cancer and/or birth defects or reproductive harm. For more information go to www.P65Warnings.ca.gov.



PART NUMBER MODEL #287-GA

Part Number



- A. (2) - Wire Connector
- B. (1) - Mounting Plate
- C. (1) - Hex Nut1
- D. (1) - Lock Washer
- E. (1) - Ground Screw
- F. (2) - Outlet Box Screw
- G. (1) - Threaded Pipe1
- H. (1) - Canopy(W4.75",H0.75") #XRE287GACAN4.75IN
- I. (1) - Collar Ring
- J. (1) - Collar Loop
- K. (2) - Quick Link
- L. (1) - Hanging Chain(72",4mm) #XRE287GACHA4MM
- M. (1) - Fixture Loop
- N. (1) - Metal Flat Cover
- O. (1) - Metal Frame
- P. (1) - Center Stem
- Q. (6) - Socket Sleeve
- R. (3) - Ball Nut #XRE287GABANUT
- S. (1) - Light Cluster
- T. (1) - Hex Nut2
- U. (1) - White Cloth Shade #XRE287SHA17IN
- V. (1) - Threaded Pipe2
- W. (1) - Diffuser Glass #XRE287DIF17IN
- X. (2) - Plastic Washer
- Y. (1) - Finial #XRE285FIN