

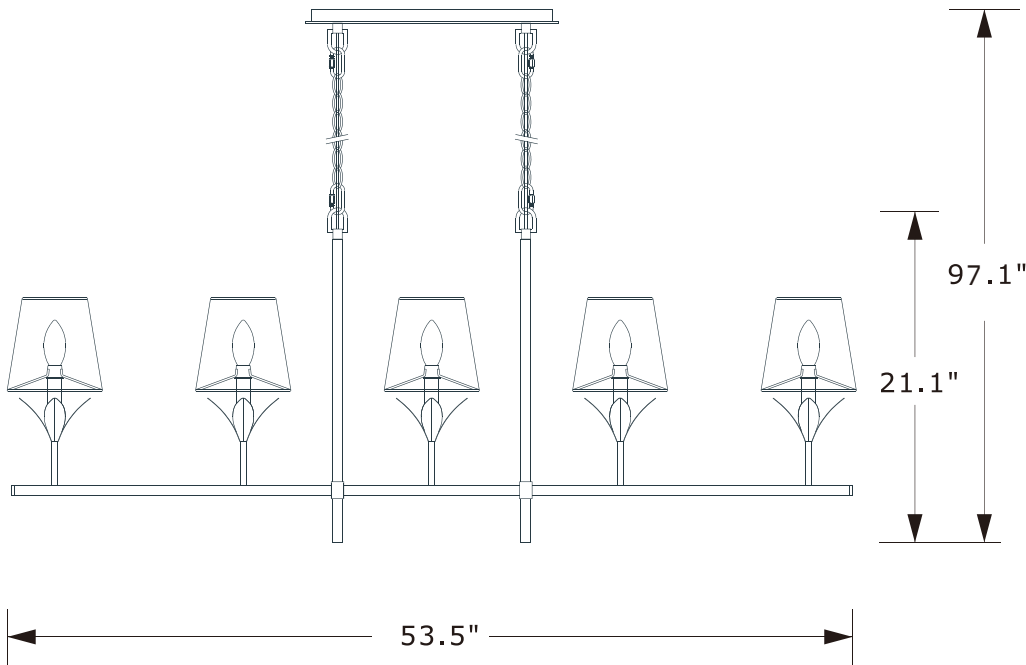
CRYSTORAMA

LIGHTING THE WAY FOR SIXTY YEARS



Crystorama.com

ASSEMBLY INSTRUCTION MODEL # 537-GA



All electrical components must be installed by a licensed electrician in accordance with the National Electric Code and the appropriate local electrical codes.



You will need 5 -Candelabra Base Bulb
40 Watts Recommended 60 Watts Max.

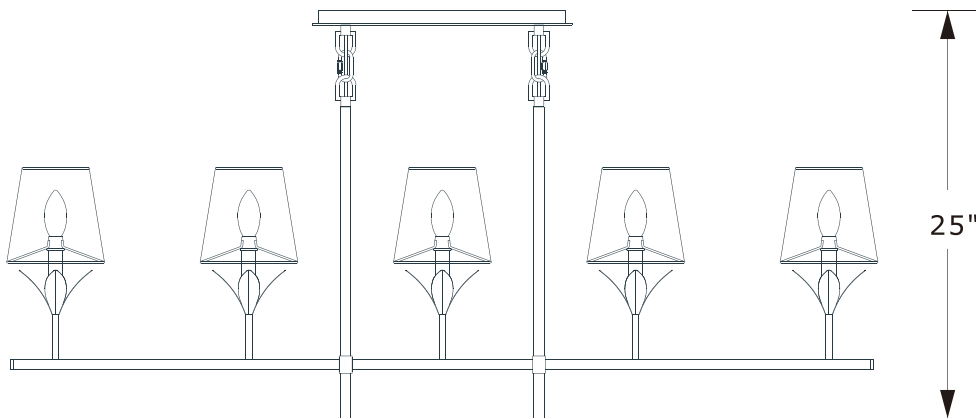
USE LED BULBS FOR EXTENDED USE

THIS FIXTURE IS DRY RATED

How to Install

- 1.Screw two top stems onto the frame. Make sure the loop faces the same direction on both stems.
- 2.Screw two bottom stems onto the frame.
- 3.Place the mounting plate over the outlet box and mark two points on the ceiling with the same distance as between the two holes on the mounting plate.
4. Drill holes at the marked points then insert the plastic anchors into the holes. Attach the mounting plate onto the ceiling using the anchor screws.
5. Decide the preferred hanging height and choose the correct length of chain needed.
6. Raise the fixture up to the ceiling and do the wire connections. Secure the canopy with the screws.

The minimum hanging height:



WARNING: This product can expose you to Lead, which is known to the State of California to cause cancer and/or birth defects or reproductive harm. For more information go to www.P65Warnings.ca.gov.

CRYSTORAMA

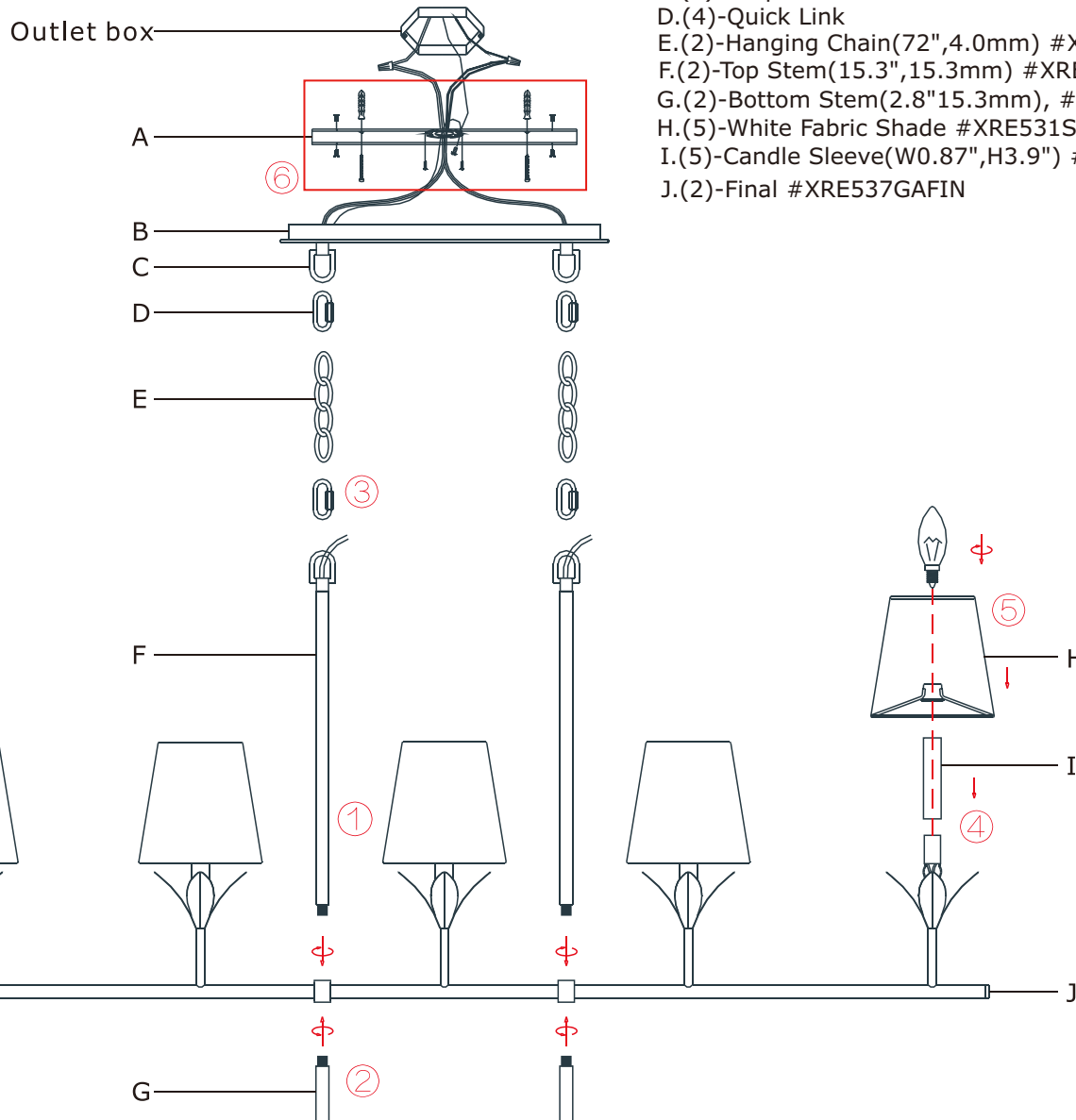
LIGHTING THE WAY FOR SIXTY YEARS



Crystorama.com

PART NUMBER MODEL # 537-GA

Part Number



- A.(1)-Mounting Hardware
- B.(1)-Canopy(L16",W5.1",H0.9") #XRE537GACAN16IN
- C.(4)-Loop
- D.(4)-Quick Link
- E.(2)-Hanging Chain(72",4.0mm) #XRE504GACHA4.0MM
- F.(2)-Top Stem(15.3",15.3mm) #XRE537GASTEM15.3IN
- G.(2)-Bottom Stem(2.8"15.3mm), #XRE537GASTEM2.8IN
- H.(5)-White Fabric Shade #XRE531SHA6IN
- I.(5)-Candle Sleeve(W0.87",H3.9") #XRE516GACDL3.94IN
- J.(2)-Final #XRE537GAFIN