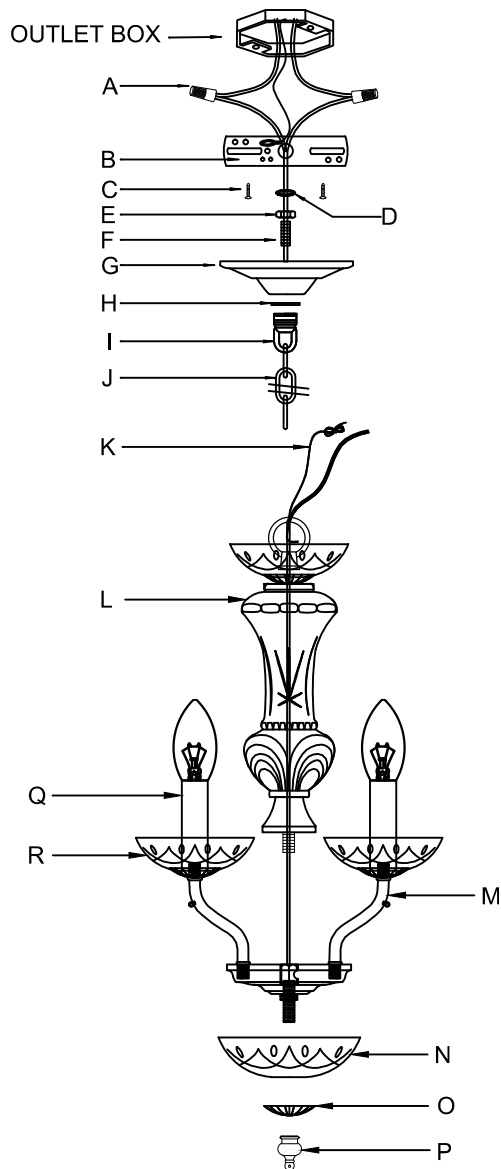


CRYSTORAMA

LIGHTING THE WAY FOR SIXTY YEARS

PART NUMBER Model #5534-CH-CL-S



Part Number

Part Numbers

- A. (2)-Wire Connector
- B. (1)-Mounting Plate
- C. (2)-Outlet Box Screws
- D. (1)-Lock Washer
- E. (1)-Hex Nut
- F. (1)-Nipple
- G. (1)-Canopy; w5" x h1" (XFB5534CHCAN5IN)
- H. (1)-Collar Ring
- I. (1)-Collar Loop
- J. (1)-Chain; 72", 4mm (XFB5534CHCHA4MM)
- K. (1)-Ground Wire
- L. (1)-Column Kit
- M. (4)-Metal Arms
- N. (1)-Glass Dish; Ø5" 17mm hole, 4pin (XFB5534CHDIBOB5IN)
- O. (1)-Metal Washer
- P. (1)-Finial (XFB5534CHFIN)
- Q. (4)-Candle Sleeve; h3" (XFB5534CHCDL3IN)
- R. (4)-Bobeche; Ø4" 24mm hole, 5pin (XFB5534CHBOB4IN)