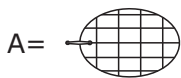
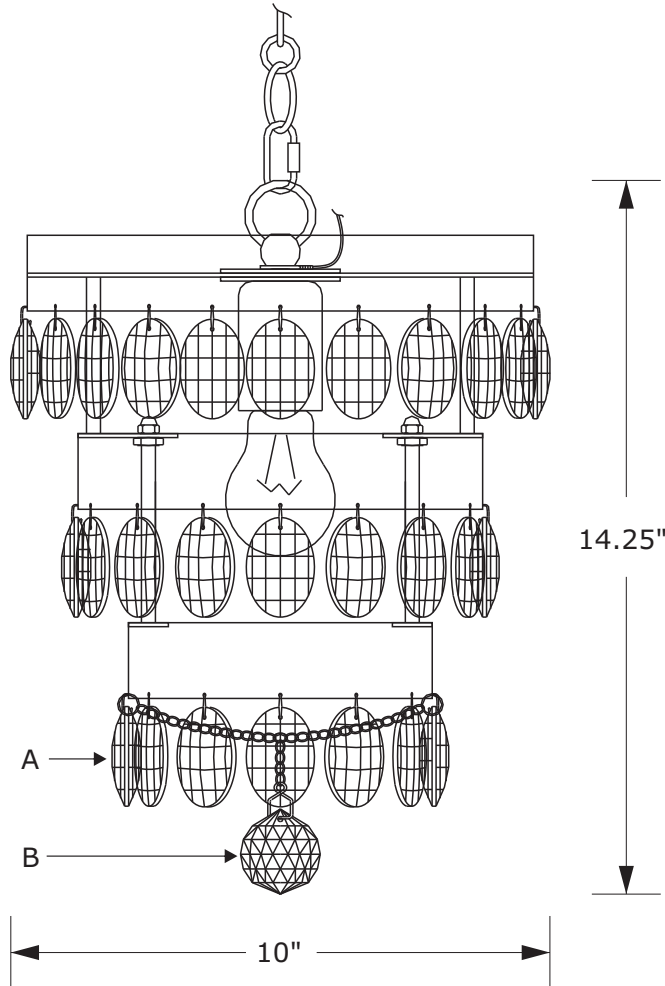


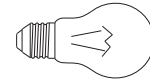
CRYSTORAMA

LIGHTING THE WAY FOR SIXTY YEARS

ASSEMBLY INSTRUCTION MODEL #6103-GA



All electrical components must be installed by a licensed electrician in accordance with the National Electric Code and the appropriate local electrical codes.



You will need 1-Medium Bulb
60 Watts Recommended 100 Watts Max.

USE LED BULBS FOR EXTENDED USE
THIS FIXTURE IS DAMP RATED

How to Install

1. Put the lower frame onto the upper frame by inserting the threaded rods into the holes and secure with ball nuts.
2. Insert recommended bulb (not included).
3. Attach the crystals A and crystals B.

Crystal Sets

A. 50 Pieces.
(48) 2" Cut Crystal

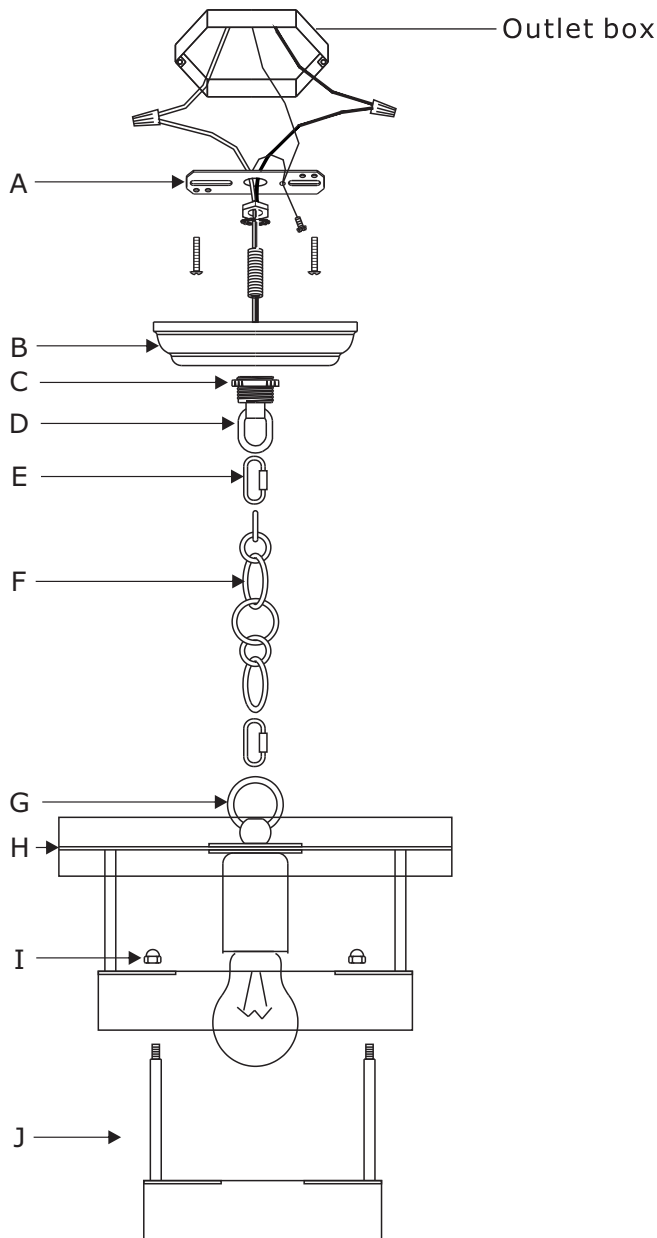
B. 1 Set.
2" Small Chain +
1.5" Cut Crystal Ball

WARNING: This product can expose you to Lead, which is known to the State of California to cause cancer and/or birth defects or reproductive harm. For more information go to www.P65Warnings.ca.gov.

CRYSTORAMA

LIGHTING THE WAY FOR SIXTY YEARS

PART NUMBER MODEL #6103-GA



Part Number

- A. (1) - Mounting Hardware
- B. (1) - Canopy(W5.25", H1") #XRE6103GACAN5.25IN
- C. (1) - Collar Ring
- D. (1) - Collar Loop
- E. (2) - Quick Link
- F. (1) - Hanging Chain(72",4mm) #XRE6103GACHA4MM
- G. (1) - Fixture Loop #XRE6103GALoop
- H. (1) - Upper Frame
- I. (3) - Ball Nut #XRE6103GABANUT
- J. (1) - Lower Frame #XRE6103GATIR