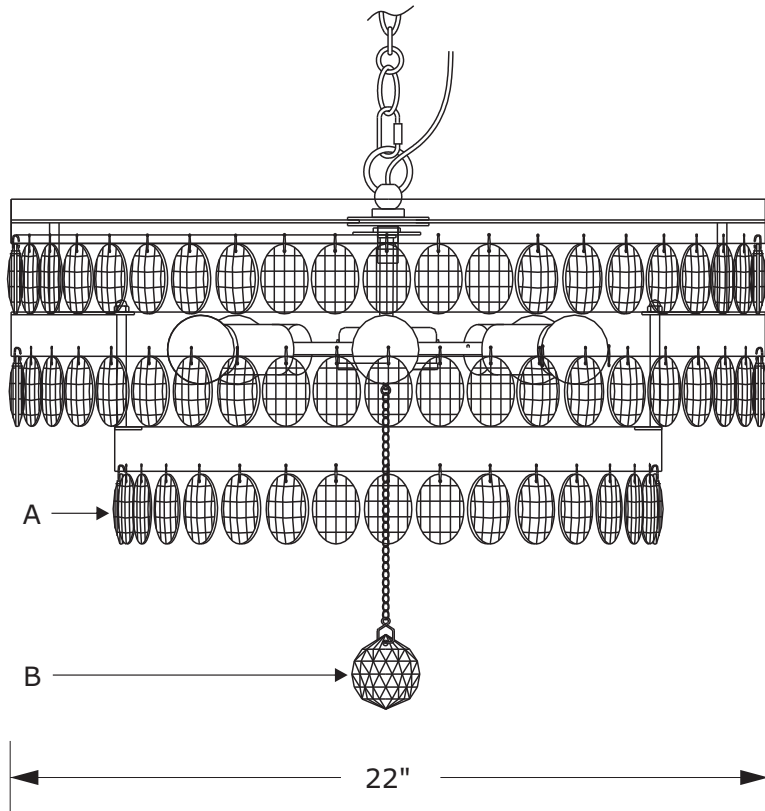


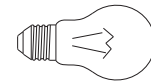
CRYSTORAMA

LIGHTING THE WAY FOR SIXTY YEARS

ASSEMBLY INSTRUCTION MODEL #6106-GA



All electrical components must be installed by a licensed electrician in accordance with the National Electric Code and the appropriate local electrical codes.



You will need 5-Medium Bulb

60 Watts Recommended 100 Watts Max.

USE LED BULBS FOR EXTENDED USE
THIS FIXTURE IS DAMP RATED

How to Install

- 1.Put the lower frame onto the upper frame by inserting the threaded rods into the holes and secure with ball nuts.
- 2.Insert recommended bulbs (not included).
- 3.Attach the crystals A and crystals B.

Crystal Sets

A.122 Pieces.
(120)2" Cut Crystal

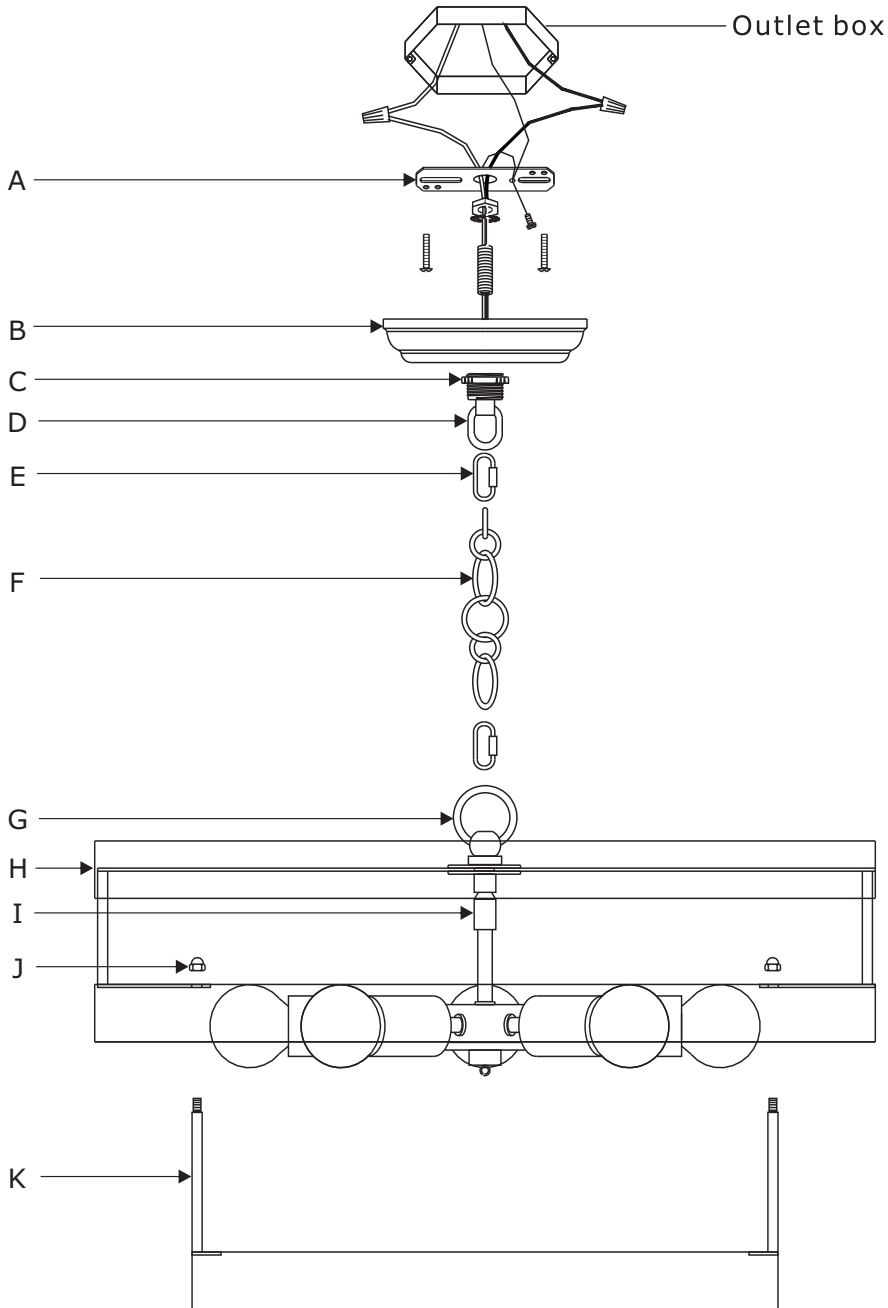
B.1 Set.
4"Small Chain +
2" Cut Crystal Ball

WARNING: This product can expose you to Lead, which is known to the State of California to cause cancer and/or birth defects or reproductive harm. For more information go to www.P65Warnings.ca.gov.

CRYSTORAMA

LIGHTING THE WAY FOR SIXTY YEARS

PART NUMBER MODEL #6106-GA



Part Number

- A. (1) - Mounting Plate
- B. (1) - Canopy(W5.25", H1") #XRE6103GACAN5.25IN
- C. (1) - Collar Ring
- D. (1) - Collar Loop
- E. (2) - Quick Link
- F. (1) - Hanging Chain(72", 4mm) #XRE6103GACHA4MM
- G. (1) - Fixture Loop #XRE6106GALOOP
- H. (1) -Upper Frame
- I. (1) - Swivel #XRE6106GASWI
- J. (3) - Ball Nut #XRE6106GABANUT
- K. (1) - Lower Frame #XRE6106GATIR