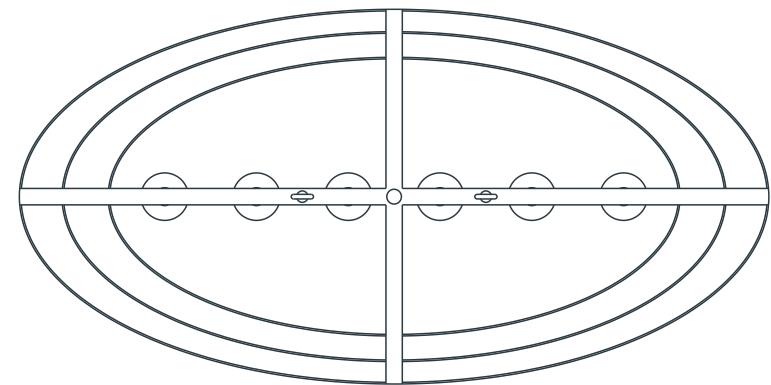
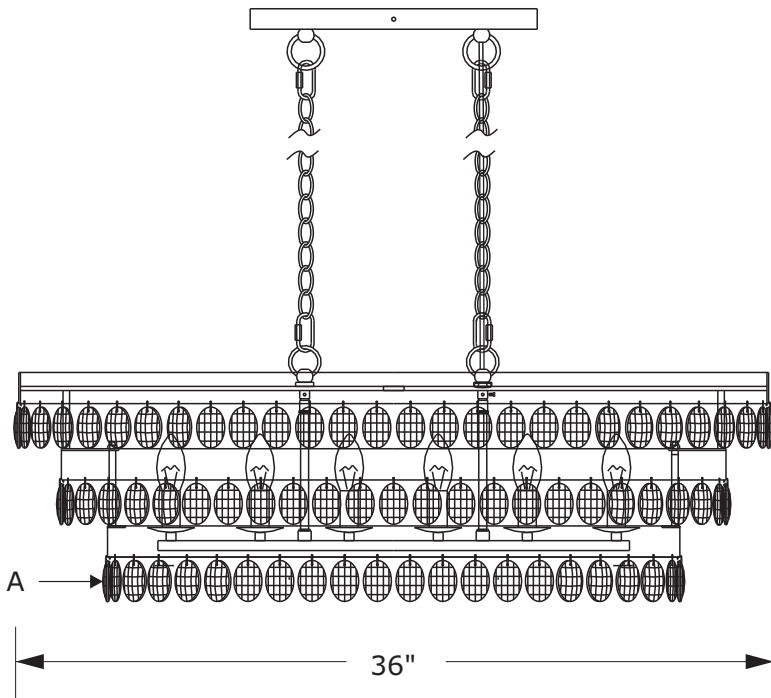


# CRYSTORAMA

LIGHTING THE WAY FOR SIXTY YEARS

## ASSEMBLY INSTRUCTION MODEL #6107-SA



All electrical components must be installed by a licensed electrician in accordance with the National Electric Code and the appropriate local electrical codes.



You will need 6-Candelabra Base Bulb

40 Watts Recommended 60 Watts Max.

USE LED BULBS FOR EXTENDED USE

THIS FIXTURE IS DAMP RATED

### How to Install

1. Put the lower frame onto the upper frame by inserting the threaded rods into the holes and secure with ball nuts.
2. Insert recommended bulbs (not included).
3. Attach the crystals A and crystals B

### Crystal Sets

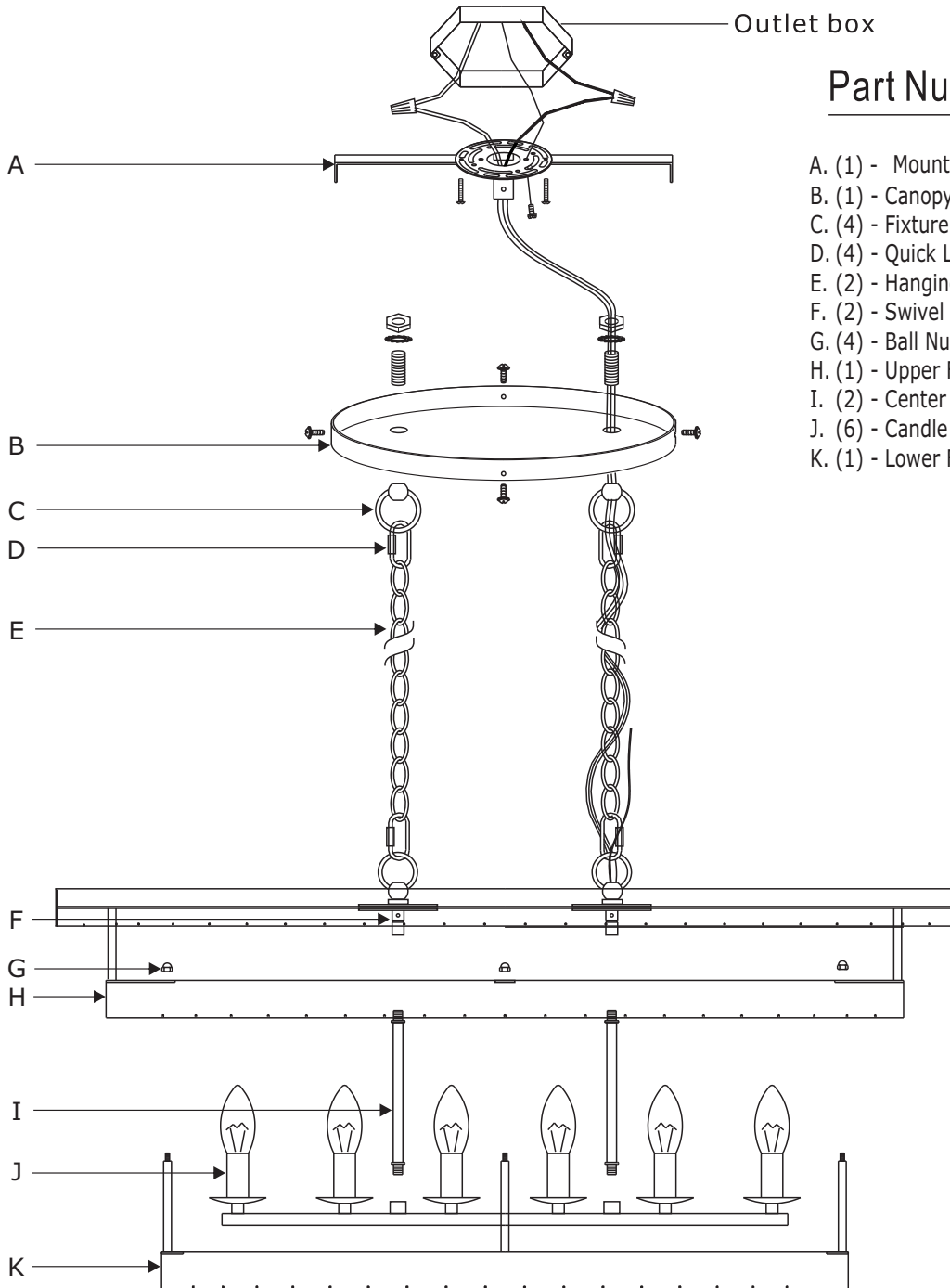
- A. 148 Pieces.  
(146) 2" Cut Crystal

**WARNING:** This product can expose you to Lead, which is known to the State of California to cause cancer and/or birth defects or reproductive harm. For more information go to [www.P65Warnings.ca.gov](http://www.P65Warnings.ca.gov).

# CRYSTORAMA

LIGHTING THE WAY FOR SIXTY YEARS

PART NUMBER MODEL #6107-SA



## Part Number

- A. (1) - Mounting Plate
- B. (1) - Canopy(L13.75", W7", H1") #XRE6107SACAN13.75IN
- C. (4) - Fixture Loop #XRE6107SALOOP
- D. (4) - Quick Link
- E. (2) - Hanging Chain(each72", 4mm) #XRE6107SACHA4MM
- F. (2) - Swivel #XRE6107SASWI
- G. (4) - Ball Nut #XRE6107SABANUT
- H. (1) - Upper Frame
- I. (2) - Center Stem(5.71", 9.7mm) #XRE6107SASTEM
- J. (6) - Candle Sleeve(W0.87", H2.36") #XRE6107SACDL2.36IN
- K. (1) - Lower Frame #XRE6107SATIR