

CRYST RAMA



1958

95 Cantiague Rock Road, Westbury NY 11590

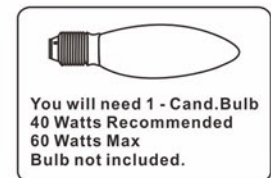
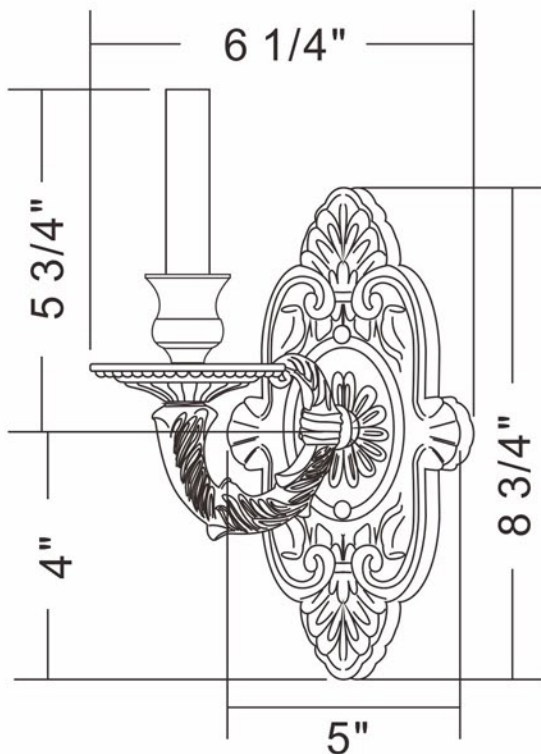
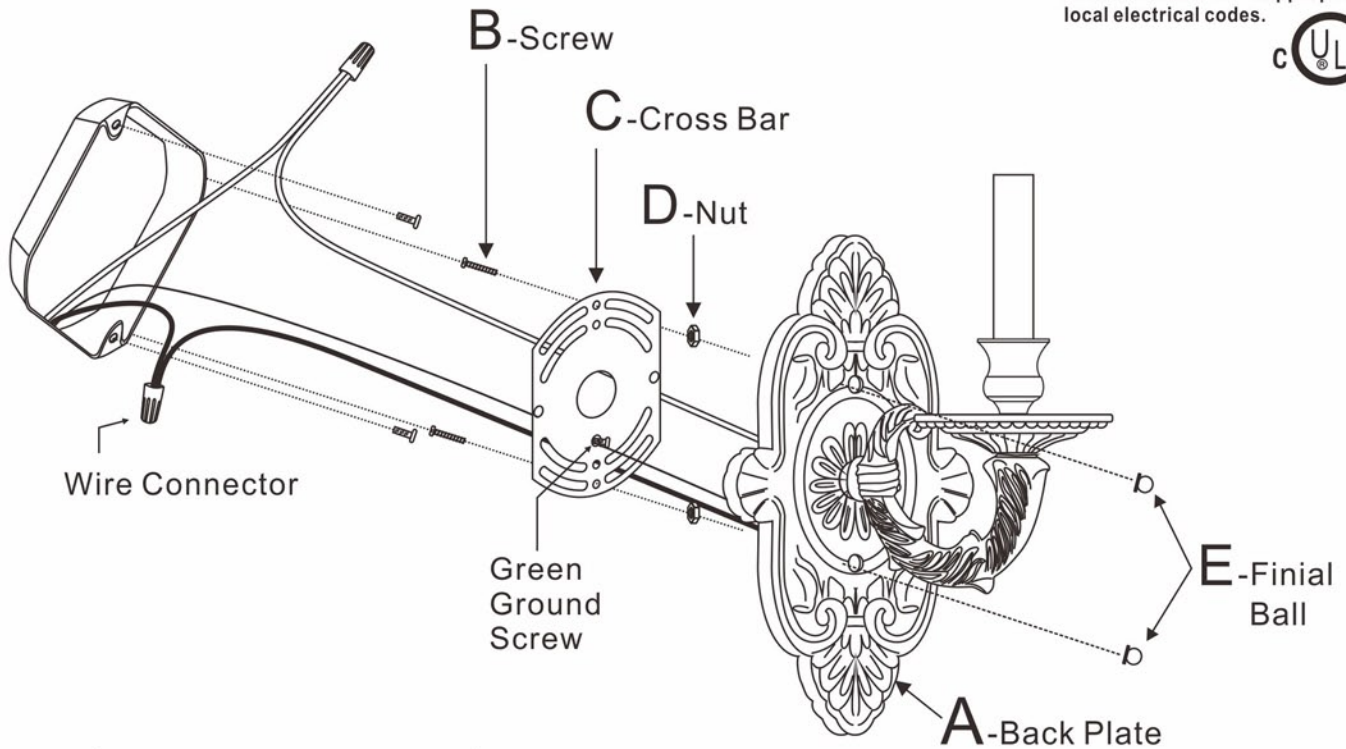
ph:516.931.9090 fax: 516. 931.1254

info@crystorama.com www.crystorama.com

MODEL#:641 ASSEMBLY INSTRUCTIONS



All electrical components must be installed by a licensed electrician in accordance with the National Electric Code and the appropriate local electrical codes.



ASSEMBLY STEPS:

- 1) B → C
- 2) B.C.D.E → A