

CRYSTORAMA

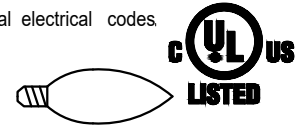


LIGHTING THE WAY FOR SIXTY YEARS

ASSEMBLY INSTRUCTION MODEL #718-CH-CL-S

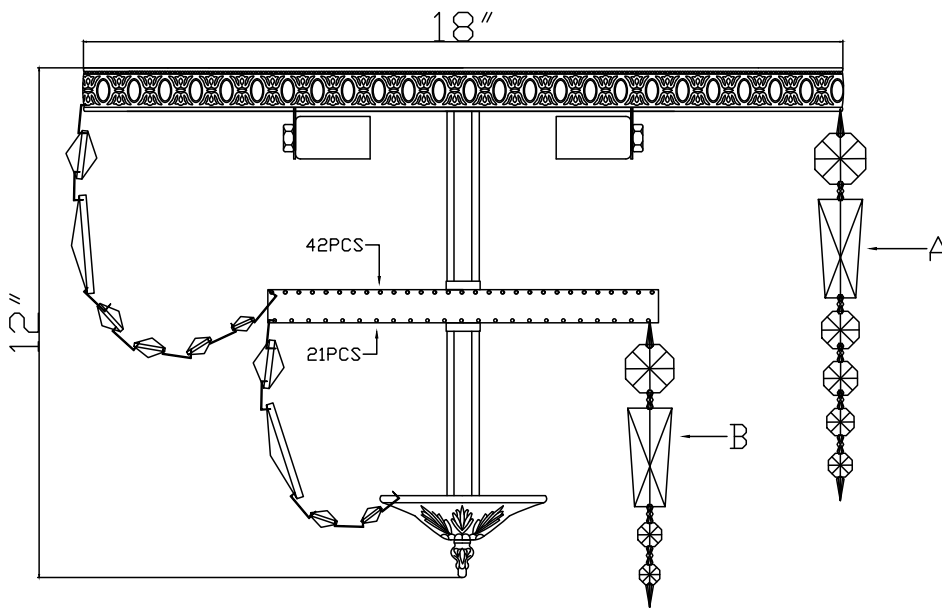


All electrical components must be installed by a licensed electrician in accordance with the National Electric Code and the appropriate local electrical codes.



You will need 4- Candelabra Base Bulb
40 Watts recommended 60 Watts Max.
USE LED BULBS FOR EXTENDED USE

The fixture is Dry rated



HOW TO INSTALL:

Place the fixture parts on a soft cloth-covered platform before installation of fixture.

1. Install the mounting bar onto the outlet box.
2. Raise the Frame up over the threaded nipple on the mounting bar. After the wire connection is completed, Secure with the coupling.
3. Screw the stem onto the coupling on the frame and secure with a hex nut. Slide the smaller tube, check ring, metal ring, check ring, larger tube and check ring in that order over the stem. Secure with a hex nut.
4. Place the vase cap over the end of the stem and secure with the finial.
5. Dress the crystals as illustrated.

Crystal Sets

- A. 42Sets. (1)30mm + (1)58mm Baguette + (1)22mm + (1)20mm + (1)16mm + (1)14mm
- B. 21Sets. (1)28mm + (1)58mm Baguette + (1)16mm + (1)14mm

⚠ WARNING: This product can expose you to Lead, which is known to the State of California to cause cancer and/or birth defects or reproductive harm. For more information go to www.p65warnings.ca.gov

CRYSTORAMA



LIGHTING THE WAY FOR SIXTY YEARS

ASSEMBLY INSTRUCTION MODEL #718-CH-CL-S

Part Number

Part Numbers

- A. (2)-Wire Connector
- B. (1)-Mounting bar
- C. (2)-Screw
- D. (1)-Hex nut
- E. (1)-Thread nipple
- F. (1)-Frame ; $\text{Ø}18''$; 42 pin holes ; with inner plate.
- G. (4)-Check ring
- H. (1)-Coupling
- I. (2)-Hex Nut
- J. (4)-Socket
- K. (1)-Stem ; H10"-XSN718CHSTEM10IN
- L. (1)-Tube ; H4 1/8"-XSN718CHSTEM4.125IN
- M. (1)-Tube ; H5"-XSN718CHSTEM5IN
- N. (1)-Metal ring ; $\text{Ø}9''$; 42 pin holes for up side ;
21 pin holes for lower side.
- O. (1)-Vase Cap ; $\text{Ø}3''$; 21 pin holes-XSN718CHCAP
- P. (1)-Finial-XSN710CHFIN

