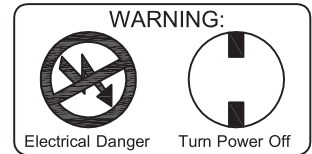
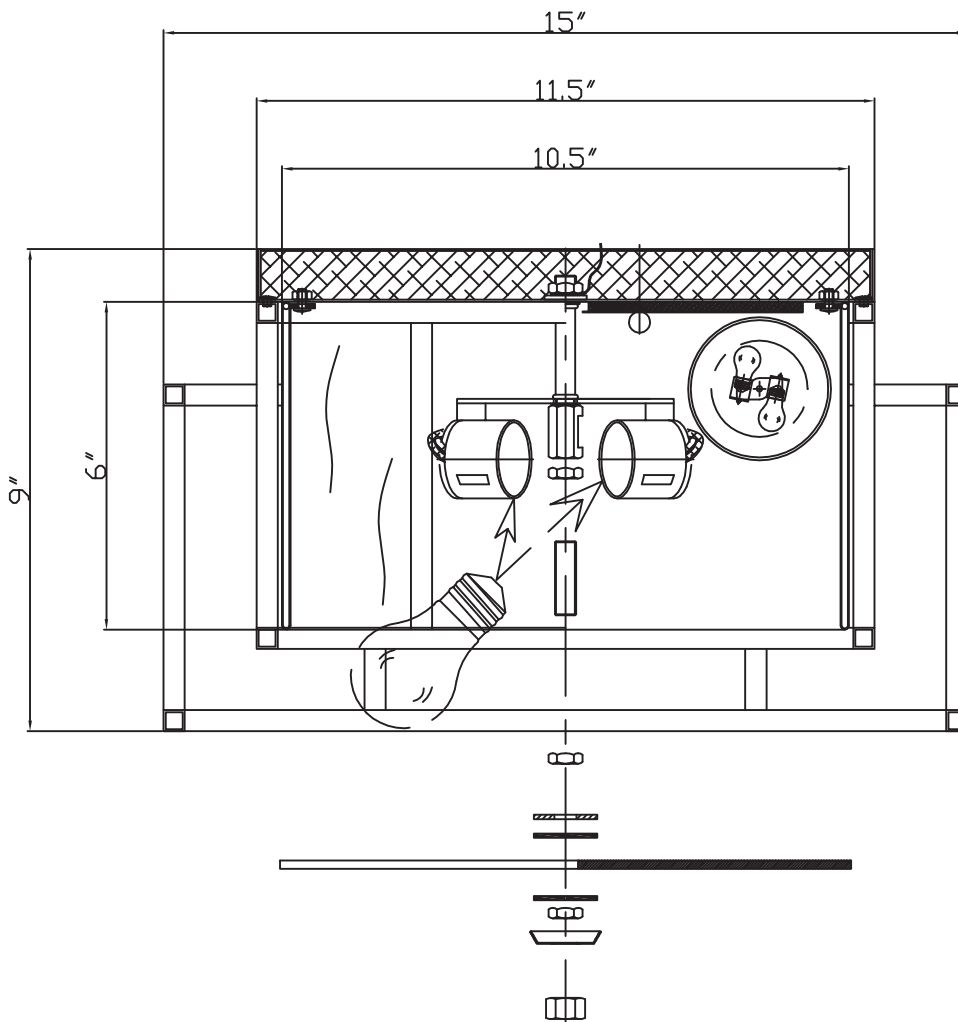


CRYSTORAMA

LIGHTING THE WAY FOR SIXTY YEARS

Crystorama.com

ASSEMBLY INSTRUCTION MODEL #9590-LG



WARNING:
All electrical components must be installed by a licensed electrician in accordance with the National Electric Code and the appropriate local electrical codes.



You will need 2 - Med.Bulb
40 Watts Recommended
60 Watts Max
USE LED BULBS FOR EXTENDED USE
The fixture is Dry rated

How to Install

1. Thread the nipple into the coupler and secure with nut.
2. Place metal washer, rubber washer, glass diffuser, and rubber washer, in that order, over the nipple and secure with nut.
3. Place the vase cap over the bottom of glass diffuser and secure with finial.
4. Mount the canopy to the ceiling.



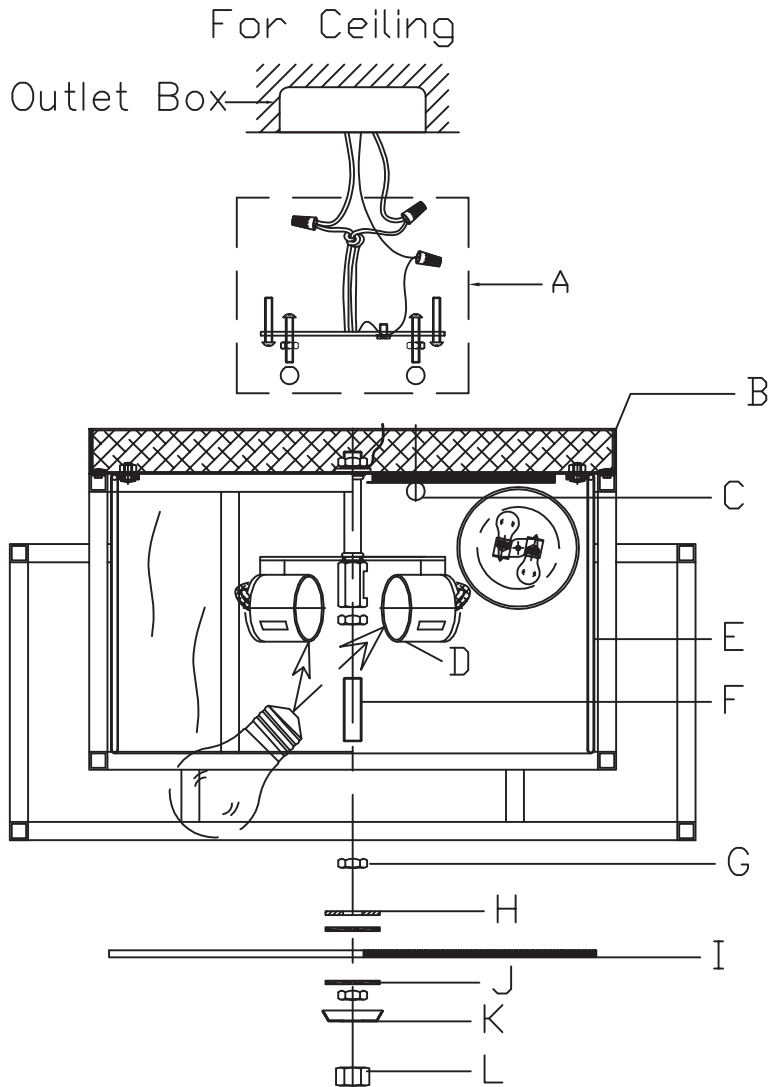
WARNING: This product can expose you to Lead, which is known to the State of California to cause cancer and/or birth defects or reproductive harm. For more information go to www.P65Warnings.ca.gov

CRYSTORAMA

LIGHTING THE WAY FOR SIXTY YEARS

Crystorama.com

PART NUMBER MODEL #9590-LG



Part Number

Part Numbers

- A. (1)—Mounting Hardware
- B. (1)—Canopy; W11.5"XH1"; XAR9590LGCAN11.5IN
- C. (2)—Ball Nut; XAR9590LGBALL
- D. (1)—Socket
- E. (1)—Shade; ϕ 10.5"X6"; XAR9590LGSHA10.5IN
- F. (1)—Nipple
- G. (1)—Screw Nut
- H. (2)—Metal Washer
- I. (1)—Glass Diffuser; ϕ 10.75"; XAR9590DIF10.75IN
- J. (2)—Rubber Washer
- K. (1)—Vase Cap; XAR9590LGCAP
- L. (1)—Finial; XSU9590LGFIN