

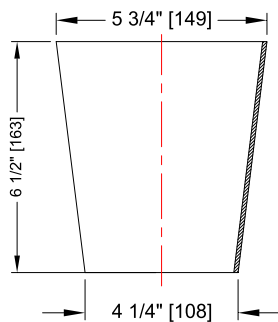
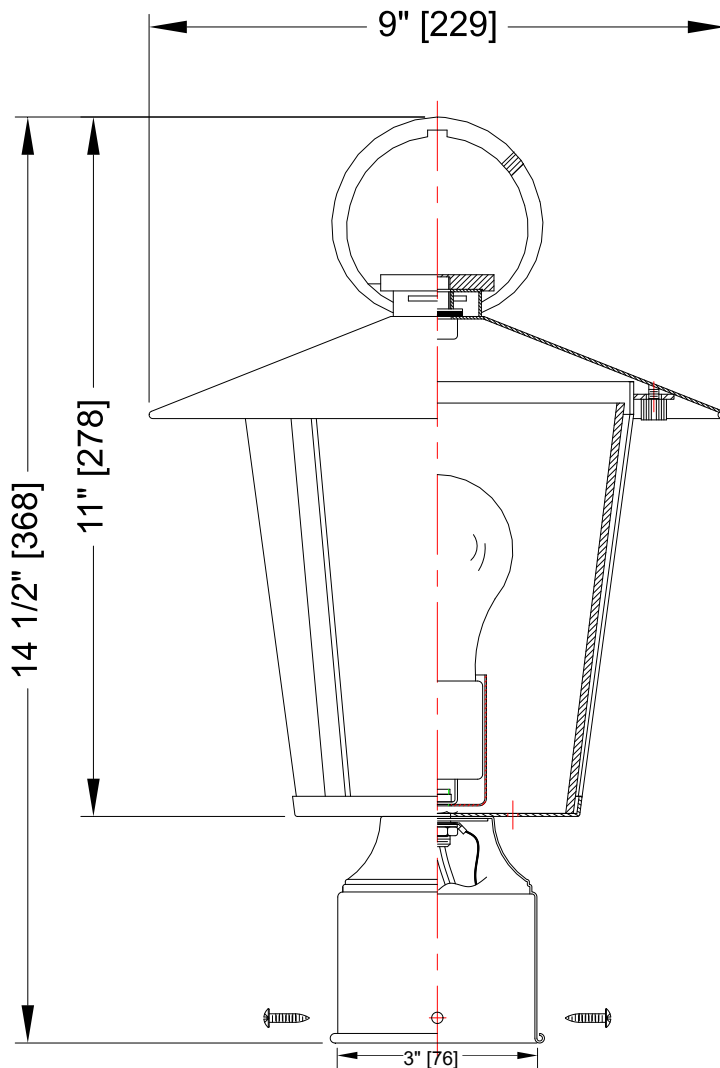
# CRYSTORAMA

LIGHTING THE WAY FOR SIXTY YEARS

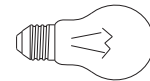


Crystorama.com

## ASSEMBLY INSTRUCTION MODEL #AND-9207-CL-MK



All electrical components must be installed by a licensed electrician in accordance with the National Electric Code and the appropriate local electrical codes.



You will need 1 - Medium Bulb  
60 Watts Recommended 100 Watts Max.  
(Bulb not included)  
USE LED BULBS FOR EXTENDED USE  
THIS FIXTURE IS WET RATED

### How to Install

1. To install the glass shade, separate the Bottom Cage by removing the Nut.
2. Insert the Glass Shade into the Bottom Cage.
3. Install the bulb into the socket.
4. Attach the Bottom Cage to the Top Cage by screwing a Nut securing the two together.
5. Place the fixture over the post and mark 3 points on the post at the center of each hole on the post filler.
6. Drill the holes at the marked points
7. Make the wire connections then place the fixture base over the post and secure down by tightening the screws

### Glass Replacement:

Follow instruction steps #1-7, in reverse, skipping step #3, #5 and #6.

### Bulb Replacement (Bulb not included):

Follow instruction steps #1-7, in reverse, skipping step #5 and #6.

**WARNING:** This product can expose you to Lead, which is known to the State of California to cause cancer and/or birth defects or reproductive harm. For more information go to [www.P65Warnings.ca.gov](http://www.P65Warnings.ca.gov).



## ASSEMBLY INSTRUCTION MODEL #AND-9207-CL-MK

### Part Number

#### Part Numbers

- A. (1)-Top Cage
- B. (1)-Glass Shade; W5.75" x H6.5"; XHX9201GLA6.5IN
- C. (4)-Nut; XHX9201MKNUT
- D. (1)-Bottom Cage
- E. (1)-Socket
- F. (1)-Fitter
- G. (3)-Screws
- H. (1)-Post (Not Included)

