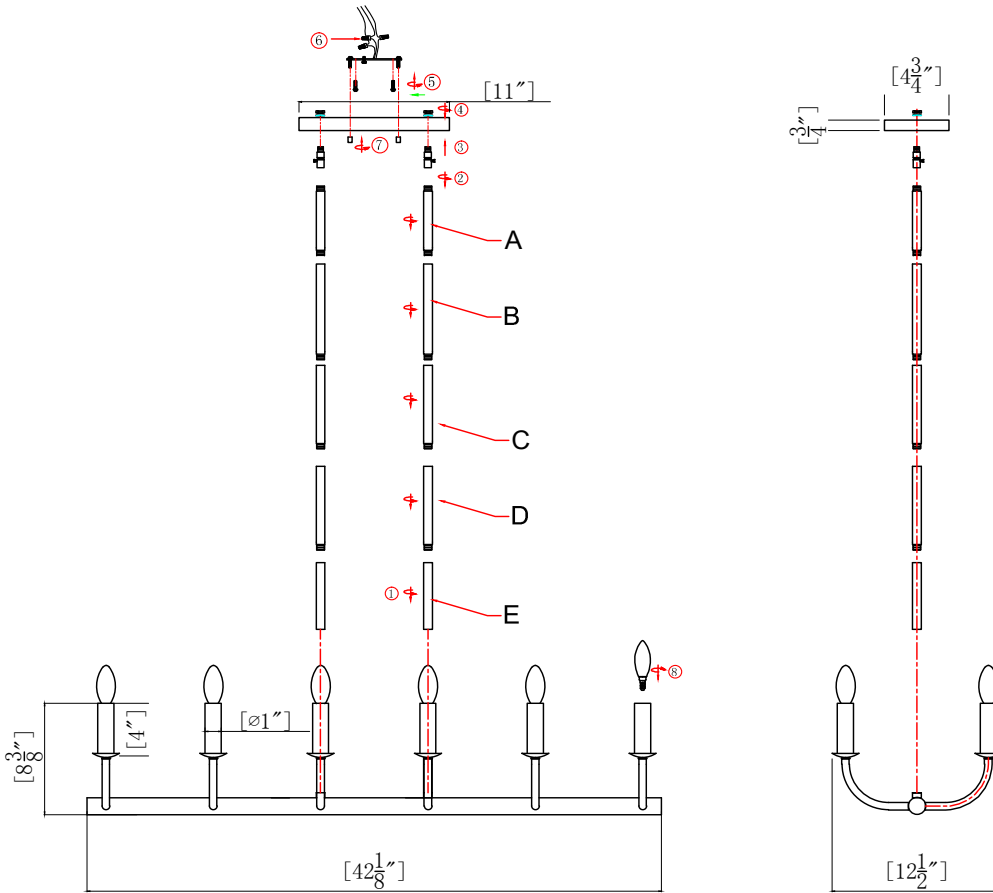


CRYSTORAMA

LIGHTING THE WAY FOR SIXTY YEARS

ASSEMBLY INSTRUCTION MODEL #BAI-A2112-AG



All electrical components must be installed by a licensed electrician in accordance with the National Electric Code and the appropriate local electrical codes.



**You will need 12 Candelabra Base Bulb
40 Watts Recommended 60 Watts Max.
USE LED BULBS FOR EXTENDED USE**

How to Install

1. Do a complete inventory of all parts and components before you start installing.
2. Add or remove stems to achieve desired length, then screw Tube E onto the fixture, followed by Tube D on to Tube E, assemble the Tube A B C in this order. After that, connect the Tube A with canopy by swivel.
3. Fasten mounting plate to outlet box with the machine screws. Place the fixture against mounting surface allowing the machine screws to pass through the canopy, secure with cap nuts.

WARNING: This product can expose you to Lead, which is known to the State of California to cause cancer and/or birth defects or reproductive harm. For more information go to www.P65Warnings.ca.gov

CRYSTORAMA

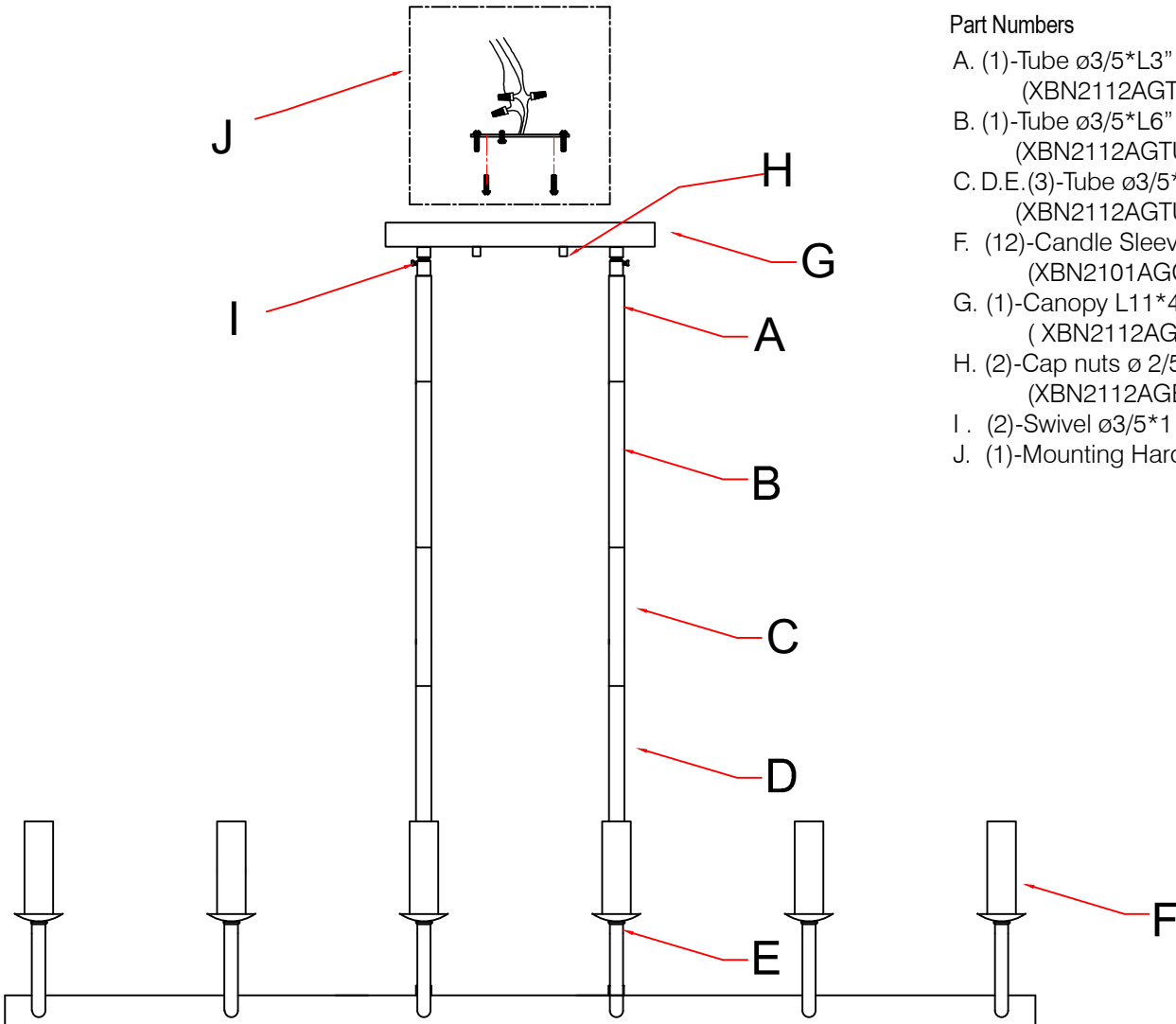
LIGHTING THE WAY FOR SIXTY YEARS

PART NUMBER MODEL #BAI-A2112-AG

Part Number

Part Numbers

- A. (1)-Tube $\varnothing 3/5 \times L3''$
(XBN2112AGTUBE3IN)
- B. (1)-Tube $\varnothing 3/5 \times L6''$
(XBN2112AGTUBE6IN)
- C. D. E. (3)-Tube $\varnothing 3/5 \times L12''$
(XBN2112AGTUBE12IN)
- F. (12)-Candle Sleeve $\varnothing 1'' \times L4''$
(XBN2101AGCDL4IN)
- G. (1)-Canopy L11*4 3/5* 3/5"
(XBN2112AGCAN11IN)
- H. (2)-Cap nuts $\varnothing 2/5 \times 2/5''$
(XBN2112AGBANUT)
- I. (2)-Swivel $\varnothing 3/5 \times 1 1/2''$
- J. (1)-Mounting Hardware



CRYSTORAMA

LIGHTING THE WAY FOR SIXTY YEARS

PART NUMBER MODEL #BAI-A2112-AG

Part Number

Part Numbers

- A. (1)-Tube $\varnothing 3/5 \times L3''$
(XBN2112AGTUBE3IN)
- B. (1)-Tube $\varnothing 3/5 \times L6''$
(XBN2112AGTUBE6IN)
- C. (3)-Tube $\varnothing 3/5 \times L12''$
(XBN2112AGTUBE12IN)
- D. (12)-Candle Sleeve $\varnothing 1'' \times L4''$
(XBN2101AGCDL4IN)
- E. (1)-Canopy $L11 \times 4 \frac{3}{5} \times \frac{3}{5}''$
(XBN2112AGCAN11IN)
- F. (2)-Cap nuts $\varnothing 2/5 \times 2/5''$
(XBN2112AGBANUT)
- G. (2)-Swivel $\varnothing 3/5 \times 1 \frac{1}{2}''$
- H. (1)-Mounting Hardware

