

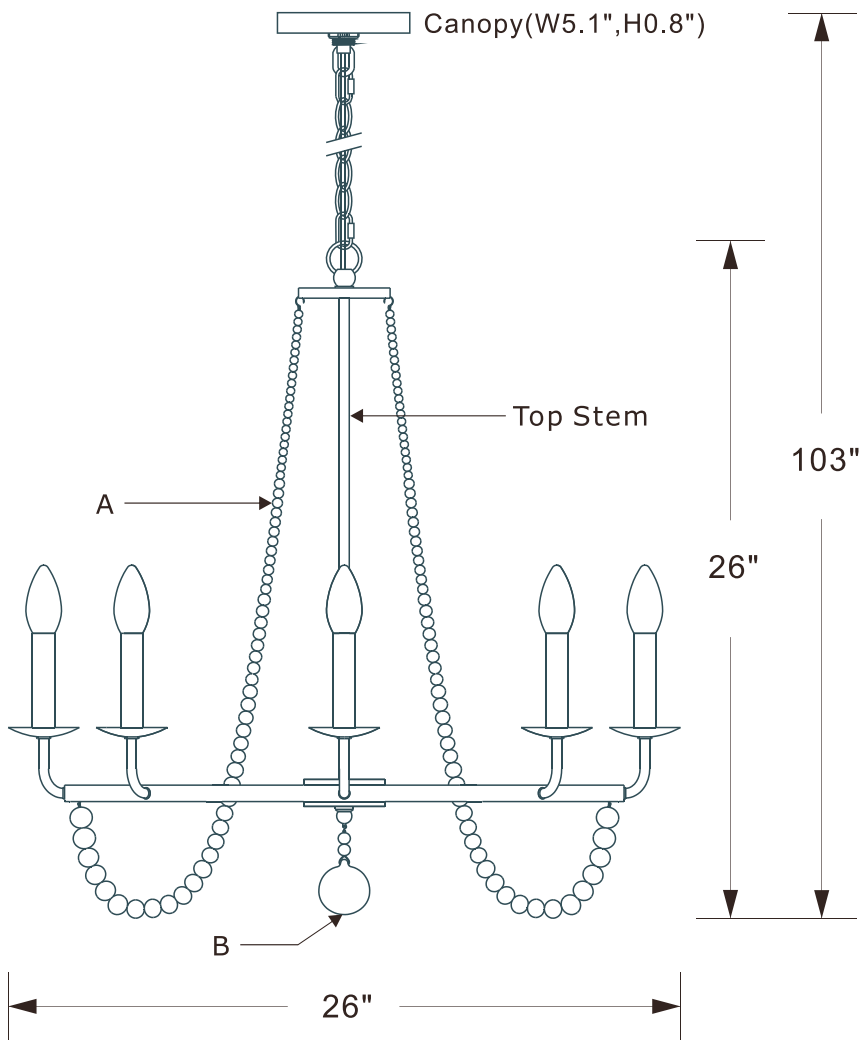
CRYSTORAMA

LIGHTING THE WAY FOR SIXTY YEARS



Crystorama.com

ASSEMBLY INSTRUCTION MODEL #BLA-10668-GA



All electrical components must be installed by a licensed electrician in accordance with the National Electric Code and the appropriate local electrical codes.



You will need 8 -Candelabra Base Bulb
40 Watts Recommended 60 Watts Max.
USE LED BULBS FOR EXTENDED USE
THIS FIXTURE IS DAMP RATED

How to Install

1. Screw the center stem kit onto the coupler on the top of the frame.
2. Decide the preferred hanging height and choose the correct length of chain needed.
3. Install the mounting strap onto the outlet box.
4. Raise the frame up over the mounting strap and do the wire connections. Secure the canopy with the collar loop ring.
5. Install the bulb onto the socket.
6. Dress the crystals as illustrated.

A =

B =

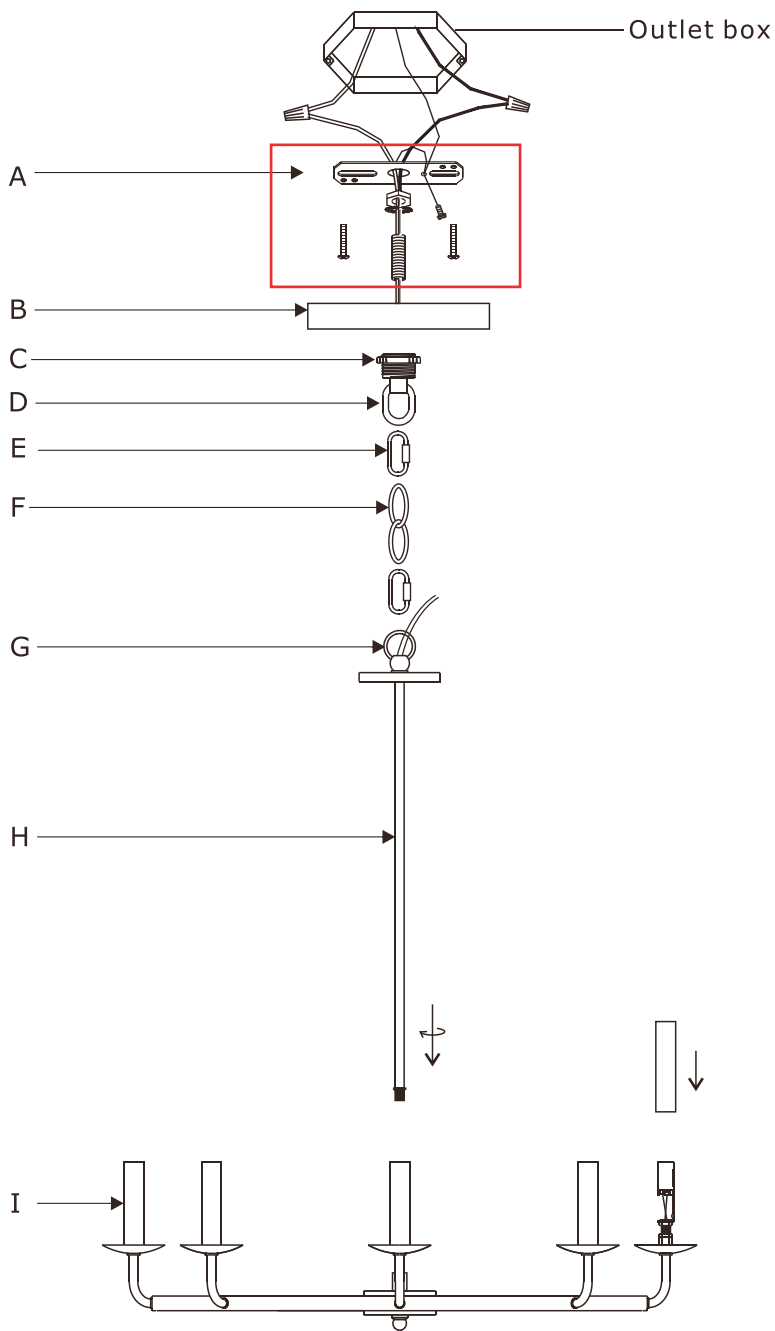
Crystal Sets

A.32 Sets.
(22)8mm + (12)10mm + (8)12mm
+ (6)14mm + (7)16mm + (6)18mm
+ (4)20mm + (2)22mm

B.1 Set.
(2)12mm + (1)50mm

WARNING: This product can expose you to Lead, which is known to the State of California to cause cancer and/or birth defects or reproductive harm. For more information go to www.P65Warnings.ca.gov.

PART NUMBER MODEL # BLA-10668-GA



Part Number

- A. (1) - Mounting Hardware
- B. (1) - Canopy(W5.1", H0.8") #XRE10668GACAN5.1IN
- C. (1) - Collar Ring
- D. (1) - Collar Loop
- E. (2) - Quick Link
- F. (1) - Hanging Chain(72", 4mm) #XRE10668GACHA4MM
- G. (1) - Fixture Loop #10668GALoop
- H. (1) - Center Stem Kit #XRE10668GASTEM
- I. (1) - Candle sleeve(W0.87", H3.94") #XRE10668GACDL3.94IN