

# CRYSTORAMA

LIGHTING THE WAY FOR SIXTY YEARS



Crystorama.com

## ASSEMBLY INSTRUCTION MODEL #BOL-8889-AG

### WARNING



Electrical Danger



Turn Power Off

All electrical components must be installed by a licensed electrician in accordance with the National Electric Code and the appropriate local electrical codes.



**You will need 12-Cand.Bulb  
40 watts Recommended 60 watts Max  
USE LED BULBS FOR EXTENDED USE  
This fixture is DRY Rated**

### How to Install

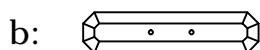
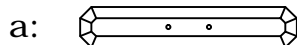
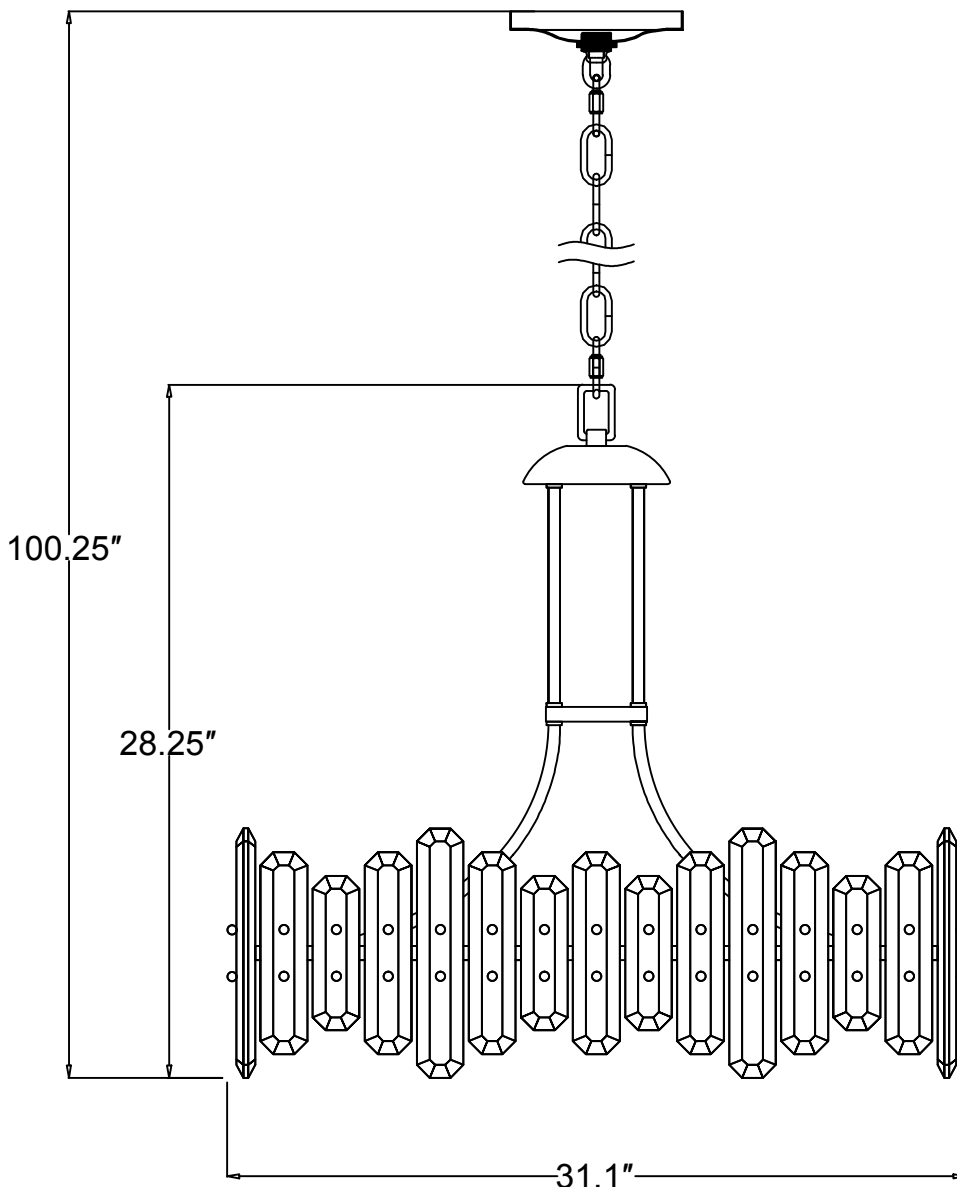
1. Put the Check Ring over the hex nut on top of wiring box.
2. Thread Rod onto the nipple.
3. Place the top metal plate over the rod and secure it with hex nut.
4. Pull the fixture wire through the hickey until taut and put the top cap over it and secure by fixture loop.
5. Secure the crystals to the fixture using the ball nuts.

### Installation of safety cable

1. Pass the long threaded pipe on the hickey through the center of outlet box. Attach it to the ceiling joist and secure it with nuts.
2. Feed wires and safety cable up through chain and the hole of screw collar loop. Have the wires and safety cable exit through the side of hickey.
3. Feed safety cable through the cable lock and coil it around the hickey twice. Then feed the cable through the lock again and tighten it with lock screw.
4. Continue to run safety cable through the top of outlet box and secure it to the ceiling joist.

### CRYSTAL SETS:

- a. 2"x0.8"x10.5"-9pcs
- b. 2"x0.8"x8.5"-18pcs
- c. 2"x0.8"x6.5"-9pcs



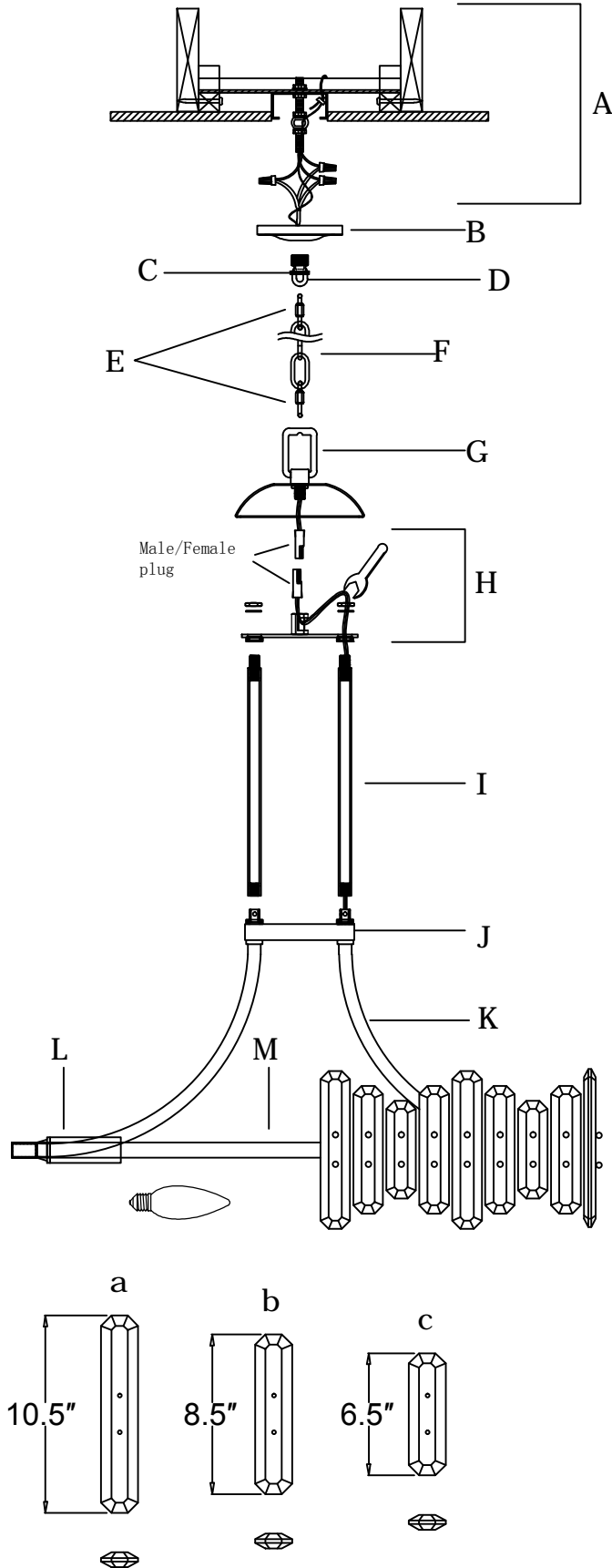
**WARNING:** This product can expose you to Lead, which is known to the State of California to cause cancer and/or birth defects or reproductive harm. For more information go to [www.P65Warnings.ca.gov](http://www.P65Warnings.ca.gov)

# CRYSTORAMA



LIGHTING THE WAY FOR SIXTY YEARS

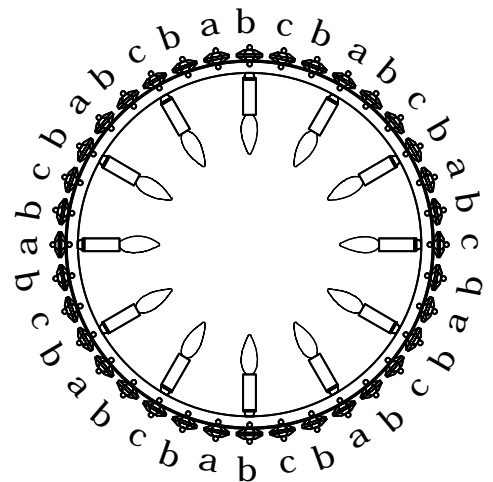
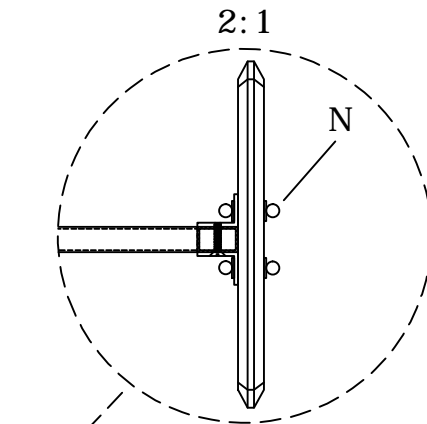
PART NUMBER MODEL #BOL-8889-AG



## Part Number

### Part Numbers

- A. Mounting Hardware
- (3) Wire Nut
- (1) Hickey
- (2) 1/4" IP NIPPLE
- (4) Nut
- (4) Flat Washer
- (4) Spring Washer
- B. (1) Canopy; Ø5.5"x1.2"h; XME8888AGCAN5.5IN
- C. (1) Screw Collar Loop
- D. (1) Collar Ring
- E. (2) Quick Link
- F. (1) Chain; 72"Lx Ø5mmT; XME8888AGCHA5MM
- G. (1) Top Loop
- H. Assembly Hardware
- (1) Top Cap
- (1) Top Metal Plate
- (4) Hex Nut
- I. (4) Rod; Ø0.5"x9"h; XME8889AGROD
- J. Assembly Hardware
- (1) Wiring Box
- (4) Check Ring
- (4) Hex Nut
- K. (4) Arm; Ø0.5"
- L. (12) Candle Sleeve; Ø1"x2.8"h
- M. (1) Bottom Ring
- N. (72) Ball Nut; XME8883AGBANUT



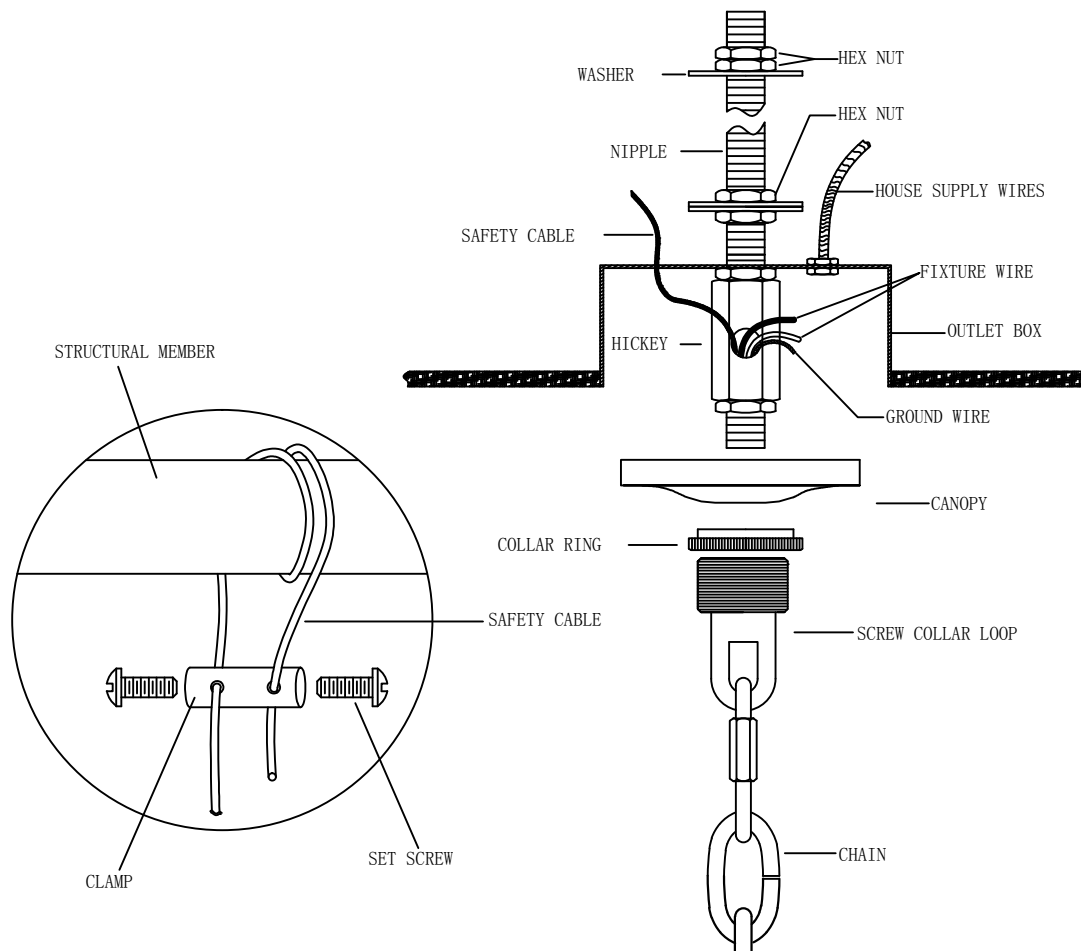
# CRYSTORAMA



LIGHTING THE WAY FOR SIXTY YEARS

PART NUMBER MODEL #BOL-8889-AG

## SAFETY CABLE INSTALLATION INSTRUCTIONS



### IMPORTANT:

FOR A SAFE AND SECURE INSTALLATION, THESE FIXTURES MUST BE INSTALLED BY MEANS OF SUPPORTS THAT ARE INDEPENDENT OF THE OUTLET BOX.

### SUGGESTED INSTALLATION:

1. Start with 1/4 IPS on one end securely mounted to a beam or a structural member. The other end should protrude through the center of the outlet, as shown.
2. Assemble the screw collar loop, nipple, hex nuts and hickey to center 1/4 IPS support pipe and adjust overall length to allow the collar ring to hold the canopy flush to the ceiling. When the adjustments have been completed, Secure the hex nut, as shown.
3. Attach the chain to the fixture loop. Slide the screw collar ring over the upper end of the chain, through the canopy (Finished side down). Open the end link of chain and lift the fixture to attach to the screw collar loop and secure the link.
4. Lace the fixture wires, ground wires and safety cable through the chain and screw collar loop, exiting through the side of HICKEY. Proceed to attach the **FIXTURE GROUND WIRE** to **HOUSE GROUND WIRE** using wire connector. Using wire connectors, connect the **HOUSE WHITE WIRE** to the **FIXTURE SUPPLY WIRE (WHITE or RIBBED SIDE)**; connect the **HOUSE BLACK (or RED) WIRE** to the **FIXTURE SUPPLY WIRE (BLACK or SMOOTH SIDE)**. Wrap all connectors with approved electrical tape. Wrap safety cable around outlet box brace and pull cable taut. Secure cable with the clamp and (2) set screws provided, as shown.
5. Push the CANOPY upward over the OUTLET BOX. Be sure that all wires are carefully tucked into the OUTLET BOX cavity. Secure canopy against ceiling by threading CANOPY LOCK RING onto the CANOPY LOOP. Tighten until snug.