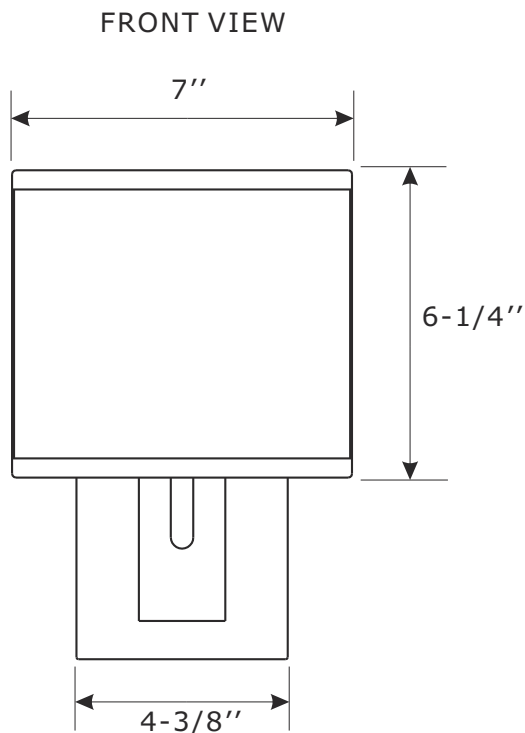




## ASSEMBLY INSTRUCTION MODEL#BRE-A3632-BF



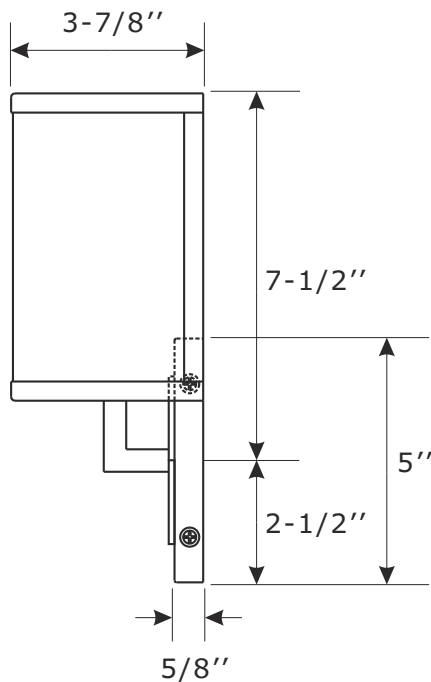
All electrical components must be installed by a licensed electrician in accordance with the National Electric Code and the appropriate local electrical codes.



You will need 1- Candelabra Base Bulb  
40 Watts Recommended 60 Watts Max.  
USE LED BULBS FOR EXTENDED USE  
This fixture is Damp rated

### How to install

1. Separate the mounting plate from the backplate by removing the screws.
2. Install the mounting plate to the outlet box using two outlet box screws.
3. Install backplate onto the mounting plate, and secure with the screws.
4. Slide the fabric shade onto the socket.
5. Install the bulb(not included) into the socket.



SIDE VIEW



## ASSEMBLY INSTRUCTION MODEL#BRE-A3632-BF

### Part Number

#### Part Numbers

- A. (1)-Mounting hardware
- B. (1)-Mounting plate
- C. (1)-Backplate L5"xW4-3/8"xH5/8" #XRF3632BFBK5IN
- D. (4)-Screw
- E. (1)-Socket
- F. (1)-Fabric shade #XRF3632SHA7IN

