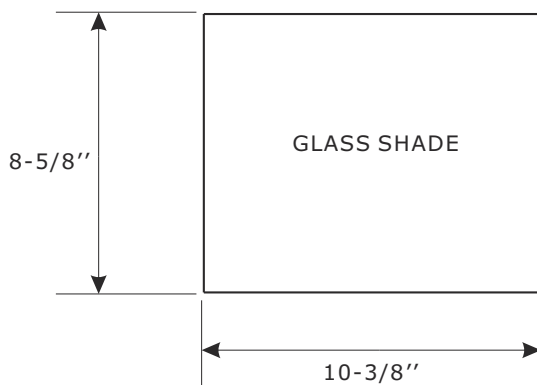
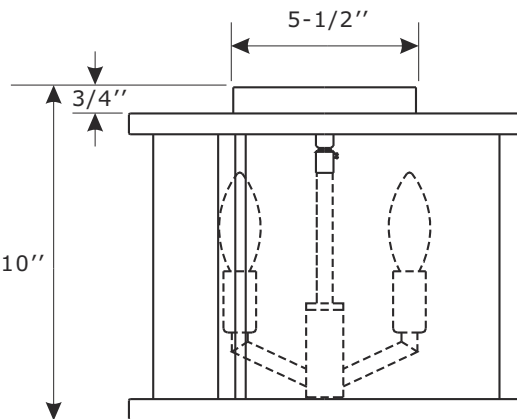
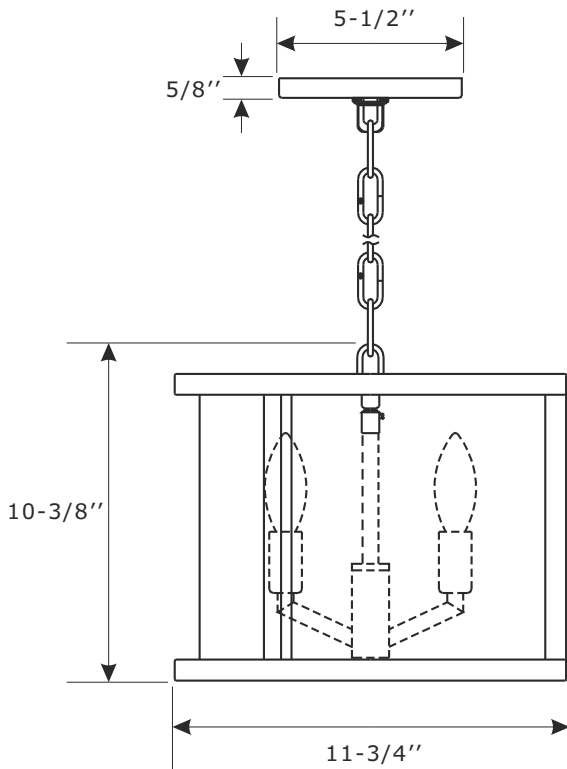


# CRYSTORAMA

LIGHTING THE WAY FOR SIXTY YEARS

ASSEMBLY INSTRUCTION MODEL#DEV-B8003-PN\_CEILING



All electrical components must be installed by a licensed electrician in accordance with the National Electric Code and the appropriate local electrical codes.



You will need 3- Candelabra Base Bulb  
40 Watts Recommended 60 Watts Max.  
USE LED BULBS FOR EXTENDED USE  
This fixture is Damp rated

## How to install

### For hanging:

1. Remove the spoke and light cluster from the metal frame by loosening the nuts.
2. Slip the glass shade into the bottom of metal frame.
3. Put the light cluster and spoke back into the metal frame and secure with the nuts.

### For ceiling:

1. Remove the spoke and light cluster from the metal frame by loosening the nuts.
2. Slip the glass shade into the bottom of metal frame.
3. Remove the loop and nipple from top of spoke and screw the canopy with 2-hole into the swivel on the light cluster.
4. Put the light cluster and spoke back into the metal frame and secure with the nuts.
5. Thread the mounting screws into the matching holes of the mounting bar, and tighten with the hex nut.
6. Secure the mounting bar to the outlet box with the outlet box screws.
7. Raise canopy allowing the mounting screws to protrude through the holes in the canopy, and secure with the finials.
8. Install the bulb(not included) into socket.

# CRYSTORAMA

LIGHTING THE WAY FOR SIXTY YEARS

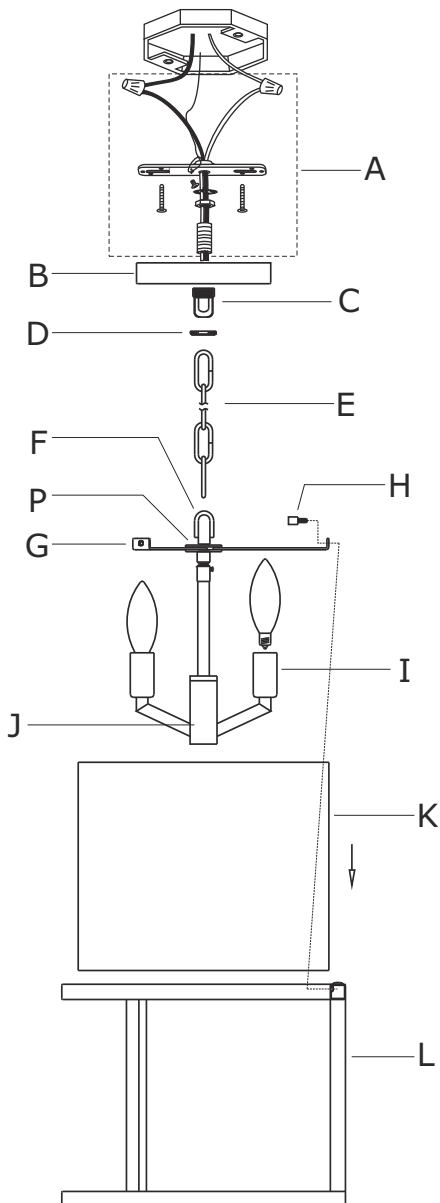
PART NUMBER MODEL#DEV-B8003-PN\_CEILING

## Part Number

### Part Numbers

- A. (1)-Mounting hardware
- B. (1)-Canopy (center hole) W5-1/2"xH5/8" #XRF8003PNCANH
- C. (1)-Collar Loop
- D. (1)-Collar ring
- E. (1)-Chain -L72", 4mm thick #XRF8003PNCHA4MM
- F. (1)-Loop
- G. (1)-Spoke
- H. (3)-Nut
- I. (3)-Socket
- J. (1)-Light cluster
- K. (1)-Glass shade #XRF8003GLASHA
- L. (1)-Metal frame
- M. (1)-Canopy with 2-hole #XRF8003PNCANC
- N. (2)-Finial #XRF8003PNFIN
- O. (1)-Swivel
- P. (1)-Metal washer

### FOR HANGING:



### FOR CEILING:

