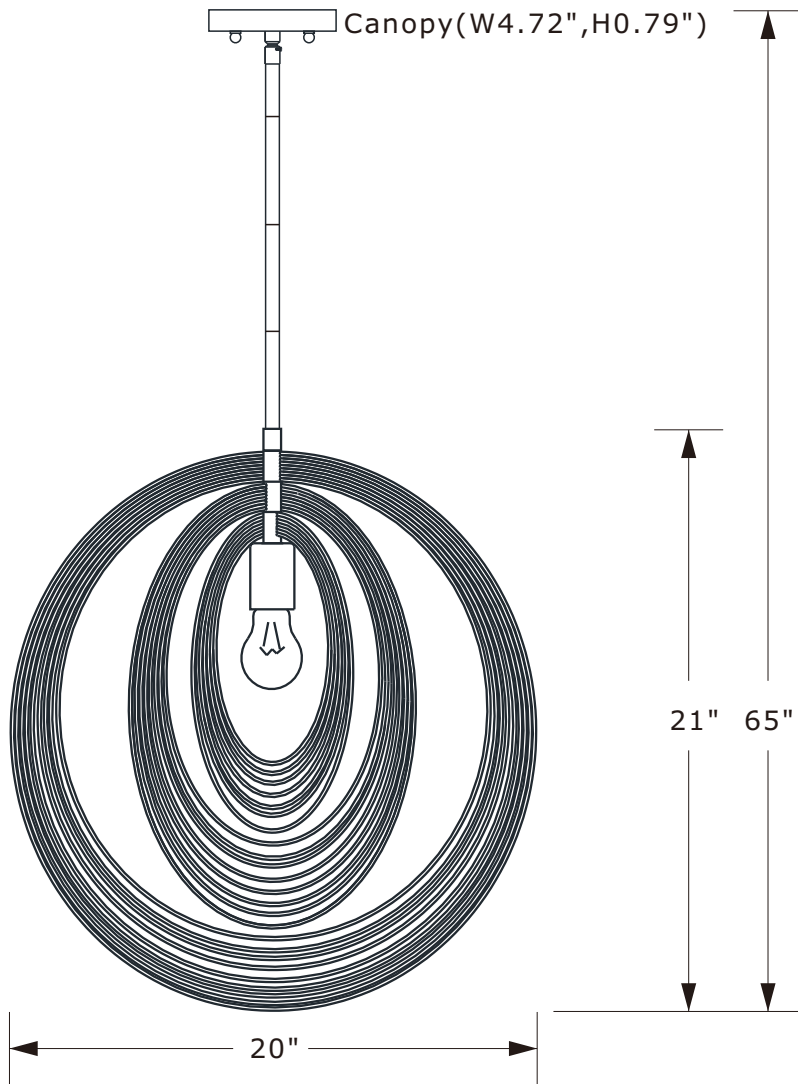


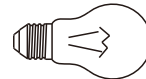
CRYSTORAMA

LIGHTING THE WAY FOR SIXTY YEARS

ASSEMBLY INSTRUCTION MODEL #DOR-B7711-RG



All electrical components must be installed by a licensed electrician in accordance with the National Electric Code and the appropriate local electrical codes.



You will need 1-Medium Base Bulb
60 Watts Recommended 100 Watts Max.
USE LED BULBS FOR EXTENDED USE
This fixture is DAMP rated

How to Install

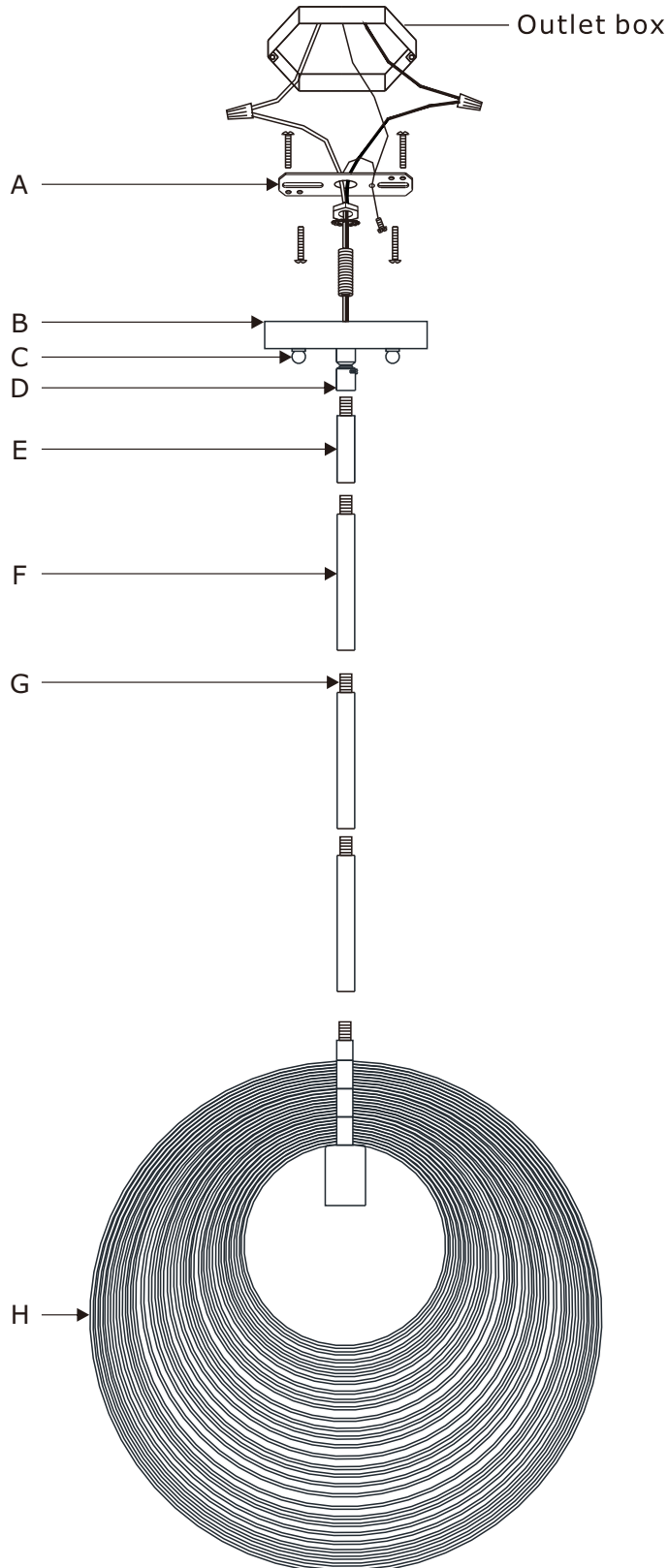
1. Do a complete inventory of all parts and components before you start installation.
2. Determine the preferred hanging height and select the stems required.
3. Feed the fixture wire through each stem, prior to connecting them together.
4. Screw one end of stem assembly onto the top of fixture and the other end onto the swivel.
5. Insert recommended bulb (not included).
6. Adjust the fixtures individual rings, by gently turning them to the preferred angle.

WARNING: This product can expose you to Lead, which is known to the State of California to cause cancer and/or birth defects or reproductive harm. For more information go to www.P65Warnings.ca.gov.

CRYSTORAMA

LIGHTING THE WAY FOR SIXTY YEARS

PART NUMBER MODEL #DOR-B7711-RG



Part Number

- A. (1) - Mounting Hardware
- B. (1) - Canopy(W4.72",H0.79") #XRE7700RGCAN4.72IN
- C. (2) - Ball Nut #XRE7700RGBANUT
- D. (1) - Swivel
- E. (1) - Hanging Stem(6",12.7mm) #XRE7700RGSTEM6IN
- F. (3) - Hanging Stem(12",12.7mm) #XRE7700RGSTEM12IN
- G. (5) - Threaded Pipe
- H. (1) - Metal Rings(3mm)