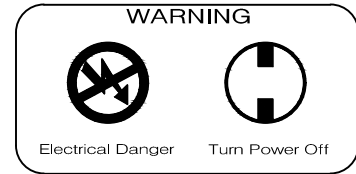
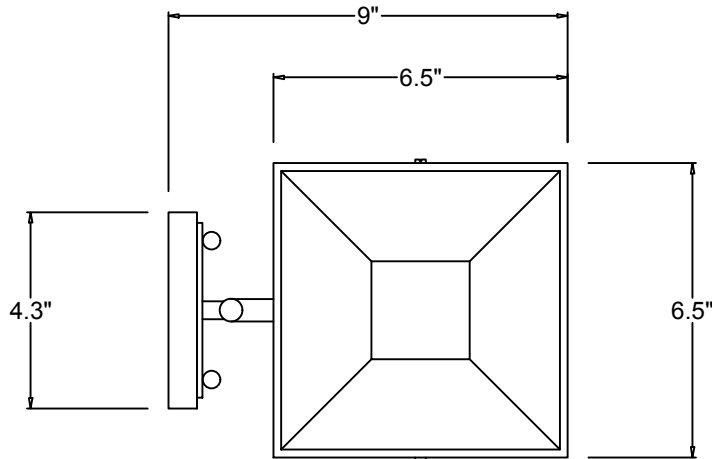


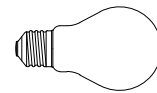
CRYSTORAMA

LIGHTING THE WAY FOR SIXTY YEARS

ASSEMBLY INSTRUCTION MODEL #DUM-9801-GE



All electrical components must be installed by a licensed electrician in accordance with the National Electric Code and the appropriate local electrical codes.



You will need 1-Medium Bulb
40 Watts Recommended 60 Watts Max
Bulb not included
USE LED BULBS FOR EXTENDED USE
This fixture is WET rated

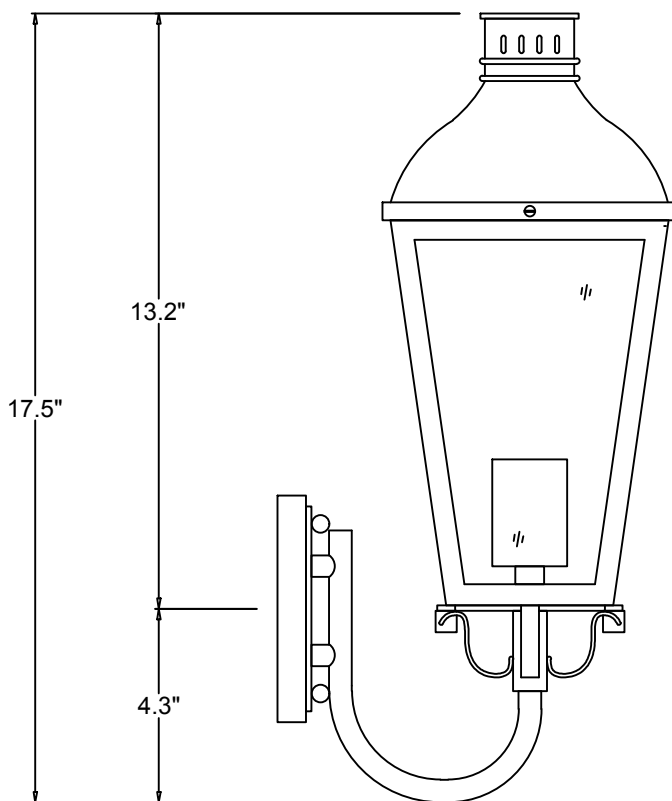
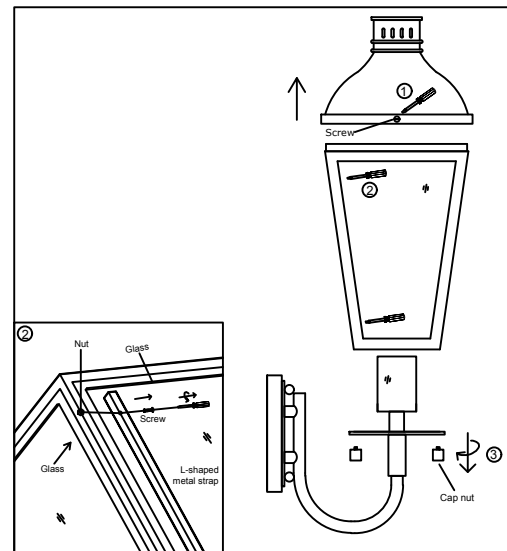
How to Install

1. Attach the mounting plate to the outlet box using two outlet box screws.
2. Install the back plate onto the mounting plate. Secure it with 4 ball nuts.
3. Remove the top cage by loosening the screws and install the bulb onto the socket. Put the top cage back.

How to change glass

1. Remove the screws on the top of the cage and remove the cage.
2. If necessary, Remove the frame from the arm by loosening the cap nuts on the bottom of the cage.
3. Remove the L-shaped metal strap by unscrewing the screws.
4. Smooth out the silicone glue along the glass channel, prior to placing in the new glass panel.
5. Put the new glass panel on and secure it with the L-shaped metal strap and screws.

Sketch Map



WARNING: This product can expose you to Lead, which is known to the State of California to cause cancer and/or birth defects or reproductive harm. For more information go to www.P65Warnings.ca.gov

CRYSTORAMA

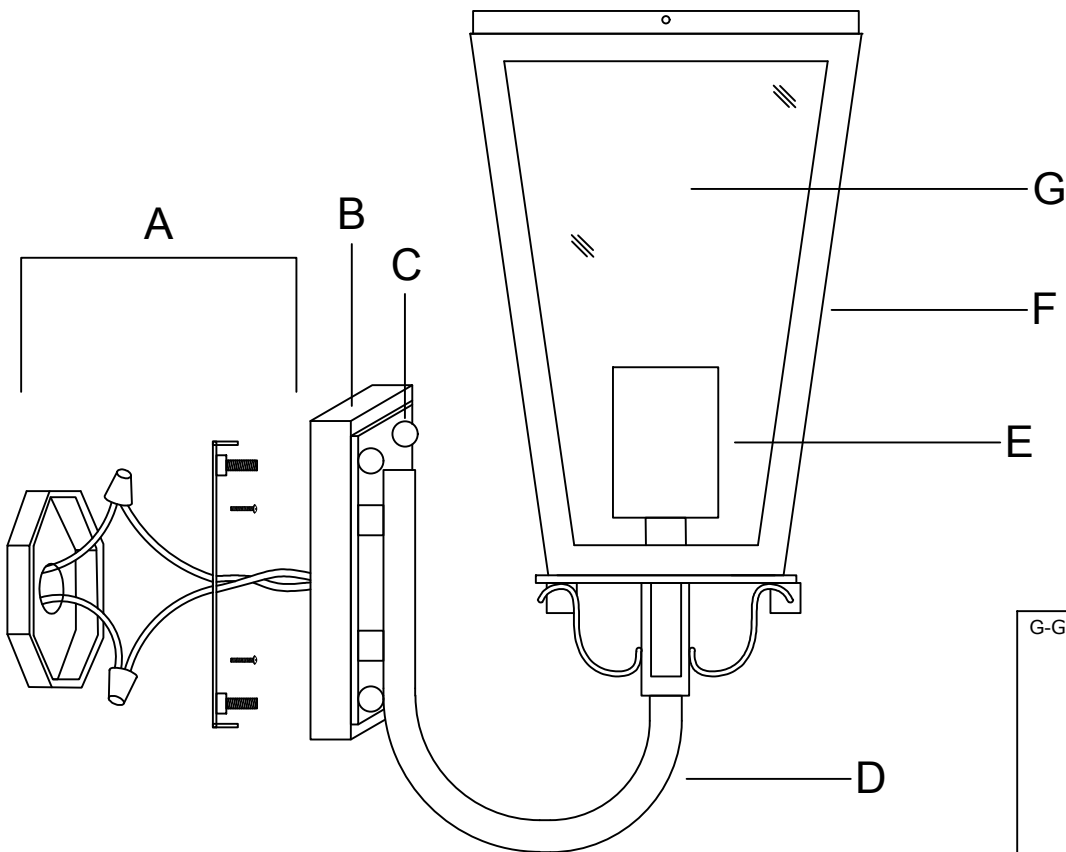
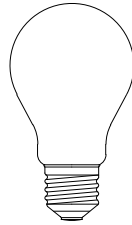
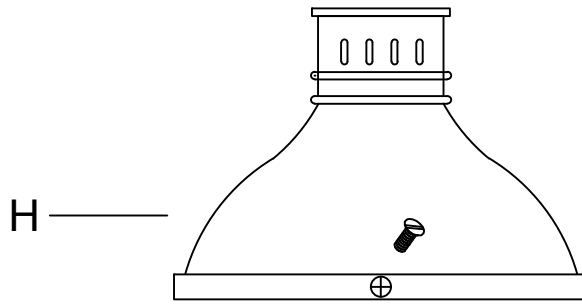
LIGHTING THE WAY FOR SIXTY YEARS

PART NUMBER MODEL #DUM-9801-GE

Part Number

Part Numbers

- A. Mounting Hardware
 - (3) Wire Nut
 - (1) Mounting Plate
 - (1) Green Ground Screw
 - (4) Outlet box screw
- B. (1) Back plate; Ø5"x4.3"x0.7h; XMO9801GEBKP5IN
- C. (4) Ball nut; XMO9801GEBANUT
- D. (1) Arm
- E. (1) Socket
- F. (1) Metal frame
- G. (4) Glass; XMO9801GEGLA8.3IN
- H. (1) Top cage



G-Glass Size

