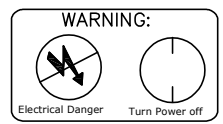
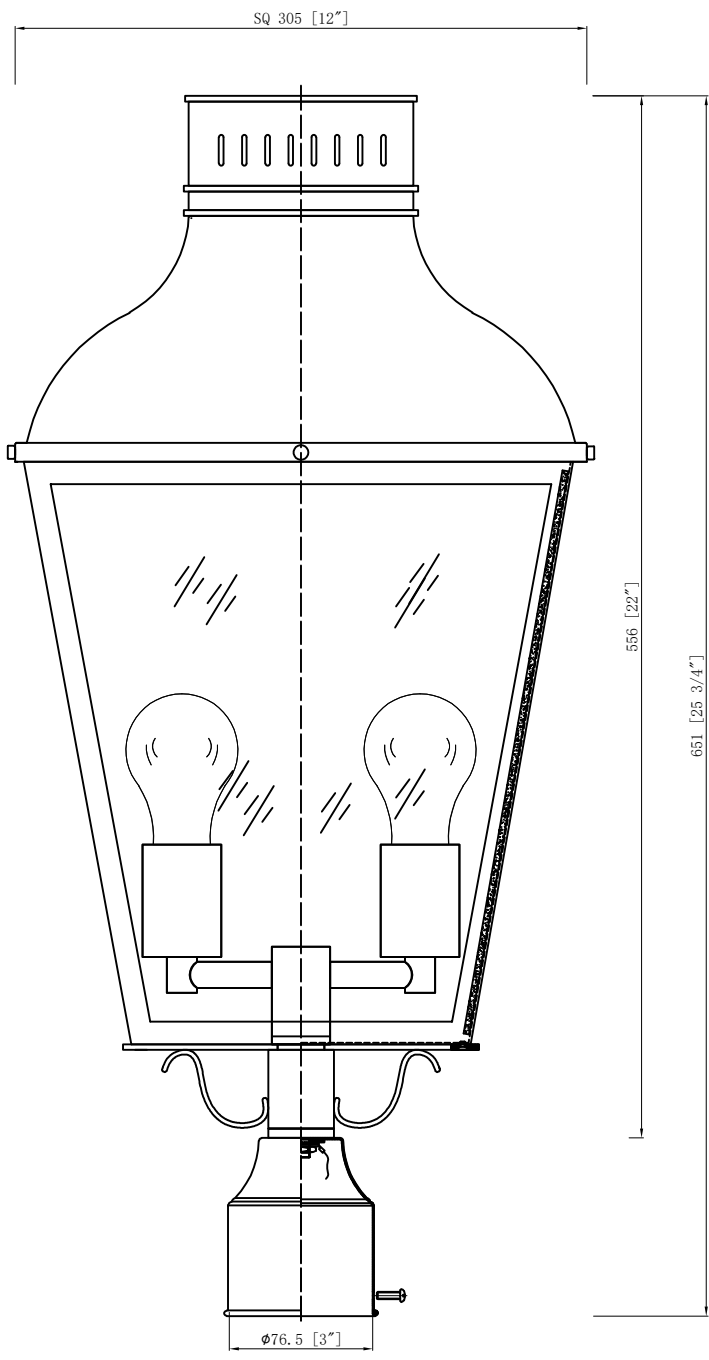


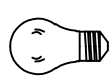
CRYSTORAMA

LIGHTING THE WAY FOR SIXTY YEARS

ASSEMBLY INSTRUCTION MODEL #DUM-9808-GE



All electrical components must be installed by a licensed electrician in accordance with the National Electric Code and the appropriate local electrical codes.

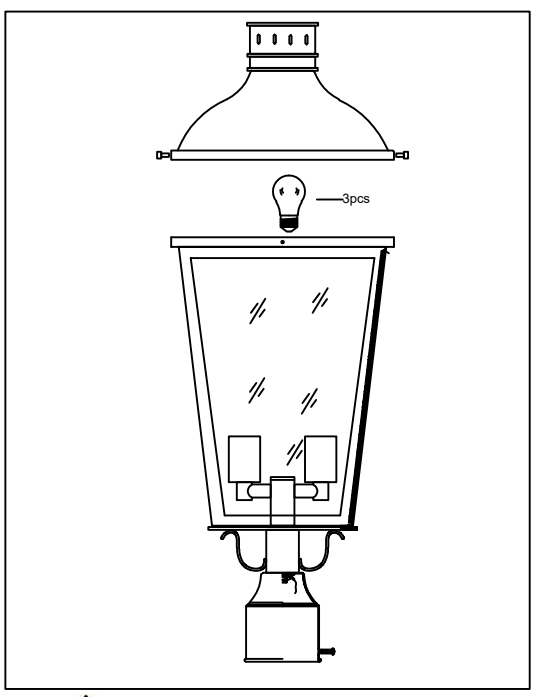



You will need 3-Medium Bulb
 40 Watts Recommended 60 Watts Max
 Bulb not included USE LED BULBS FOR
 EXTENDED USE This fixture is WET rated

How to Install

1. Place the fixture over the post and mark 3 points on the post at the center of holes on the post fitter
2. Drill the holes at the marked points..
3. Connect the fixture wires, then place the fixture over the post by aligning the holes on the fitter with the holes drilled on the post. Secure by tightening with side screws.

Sketch Map

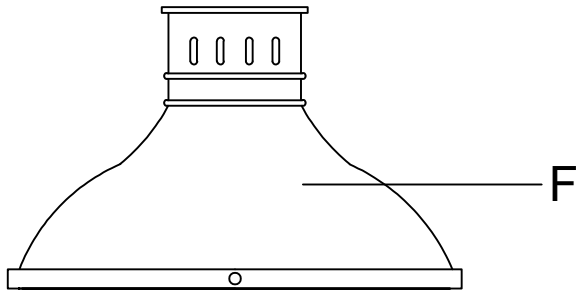


 **WARNING:** This product can expose you to Lead, which is known to the State of California to cause cancer and/or birth defects or reproductive harm. For more information go to www.P65Warnings.ca.gov

CRYSTORAMA

LIGHTING THE WAY FOR SIXTY YEARS

ASSEMBLY INSTRUCTION MODEL #DUM-9808-GE



Part Number

Part Number

- A. Mounting Hardware
(3)Screw
(3)Wire Nut
- B. (1)Base;Ø3.4"x3.5"
- C. (3)Socket
- D. (1)Bottom cage
- E. (4)Glass;XAR9803GLA12IN
- F. (1)Top cage

