

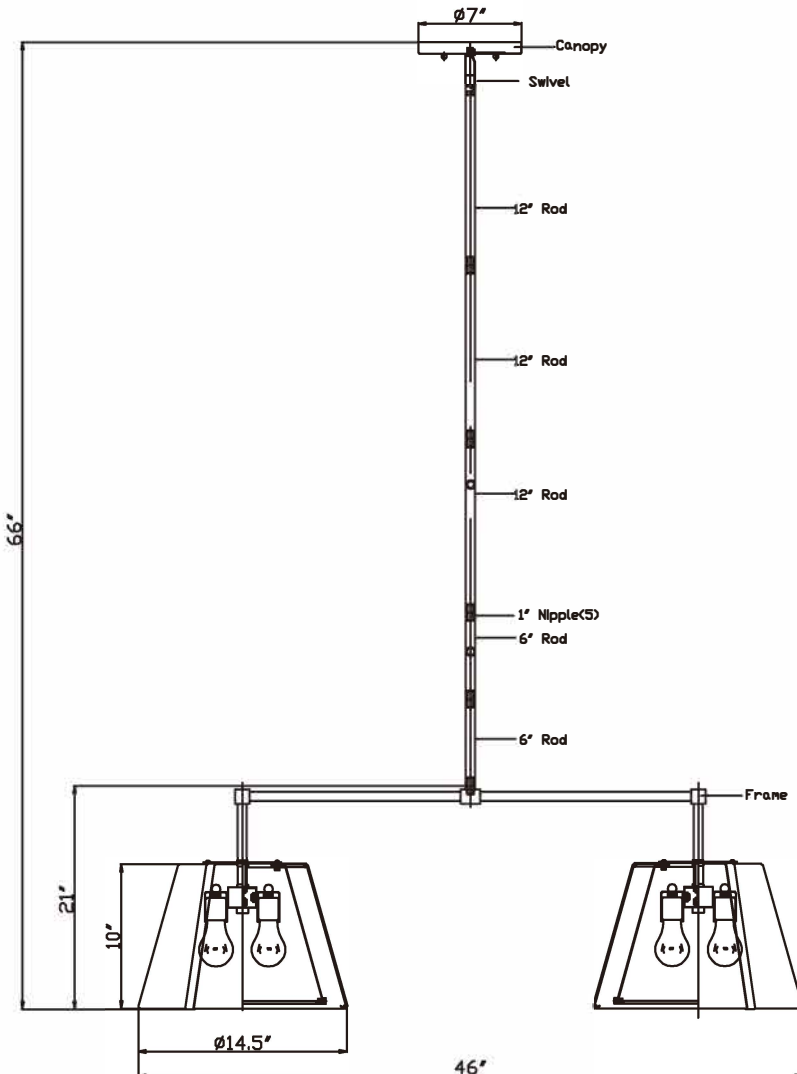
CRYSTORAMA

LIGHTING THE WAY FOR SIXTY YEARS

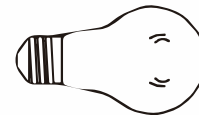


Crystorama.com

ASSEMBLY INSTRUCTION MODEL #FUL-906-PN



All electrical components must be installed by a licensed electrician in accordance with the National Electric Code and the appropriate local electrical codes.



You will need 4 - Med. Bulb

40 Watts Recommended

60 Watts Max

USE LED BULBS FOR EXTENDED USE

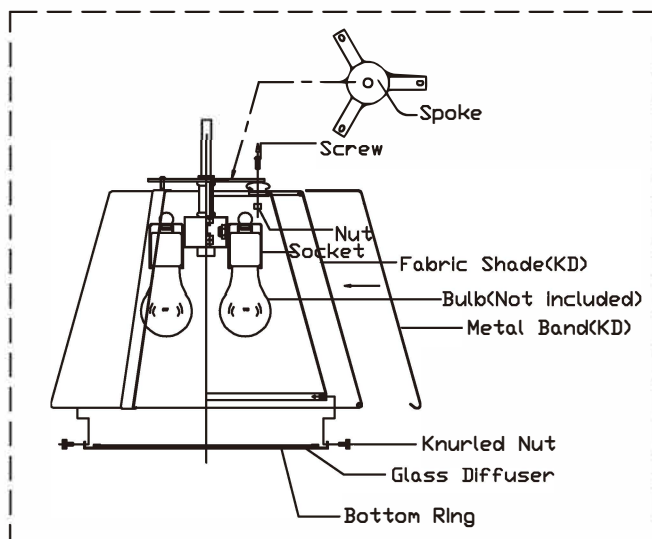
This fixture is Dry rated

How to Install

1. Install the Bulb (Not included) onto the socket.
2. Put the bottom ring over the fabric shade and secure it with Knurled nut.
3. Put the fabric shade over the spoke by screw and nut.
4. Determine the preferred hanging height and choose the stems needed.
5. Pass the wire through the stems and connect them together. Do not thread the nipples too much inside the stem. Just screw in the center rod with half the length of the nipples.
6. Attach one end of the stem assembly onto the fixture body and the other end onto the swivel.
7. Install the fixture onto the outlet box.

Bulb replacement:

1. Take the bottom ring off to change the bulb (Not included).



WARNING: This product can expose you to Lead, which is known to the State of California to cause cancer and/or birth defects or reproductive harm. For more information go to www.P65Warnings.ca.gov

CRYSTORAMA

LIGHTING THE WAY FOR SIXTY YEARS



Crystorama.com

PART NUMBER MODEL #FUL-906-PN

Part Number

Part Numbers

- A. (1)—Mounting hardware
- B. (1)—Canopy; W7"XH0.75" #XAR906PNCAN7IN
- C. (2)—Ball Nut; #XAR903BANUT
- D. (1)—Swivel;
- E. (3)—Rod; W0.6"XL12" #XAR904ROD12IN
- F. (5)—Nipple; L1"
- G. (2)—Rod; W0.6"XL6" #XAR904ROD6IN
- H. (1)—Frame;
- I. (1)—Spoke;
- J. (6)—Screw;
- K. (6)—Nut;
- L. (1)—Fabric Shade; W14.4"XH10" #XAR906SHA14.4IN
- M. (6)—Metal band XAR906BAND;
- N. (6)—Knurled nuts;
- O. (2)—Glass diffuser; ϕ 10.2" #XAR906DIF10.2IN
- P. (2)—Bottom ring; ϕ 11.2" #XAR906RING

