

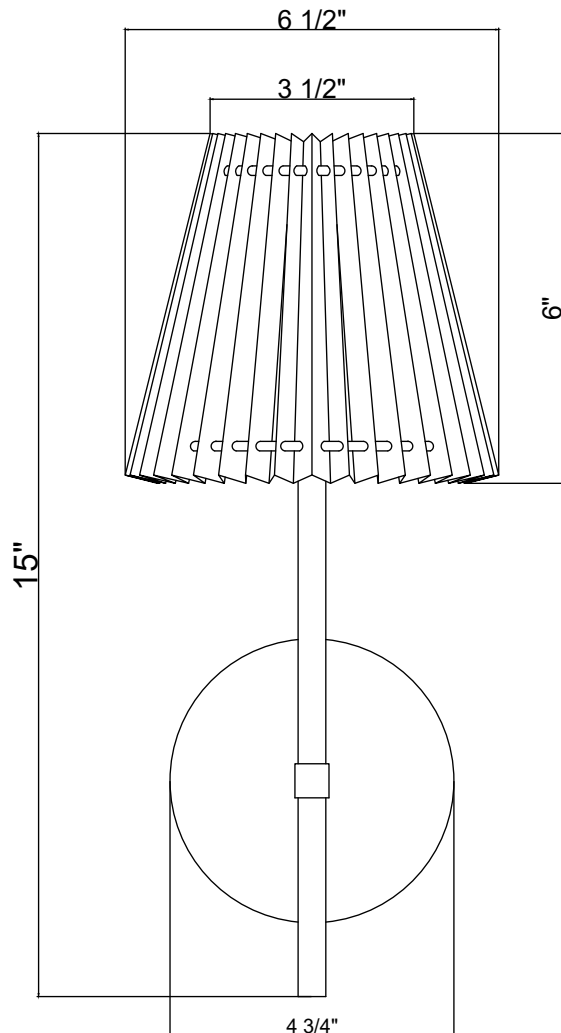
CRYSTORAMA



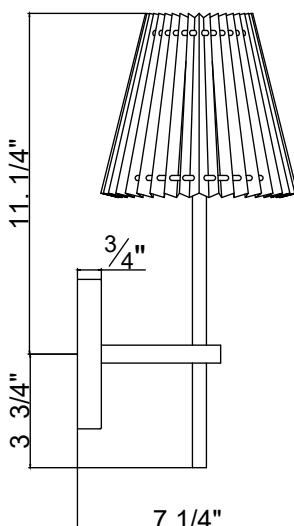
Crystorama.com

LIGHTING THE WAY FOR SIXTY YEARS

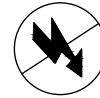
ASSEMBLY INSTRUCTION MODEL #GAM71001AG



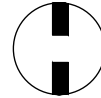
SIDE VIEW



WARNING:

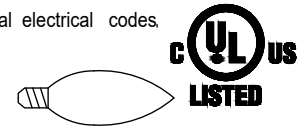


Electrical Danger



Turn Power Off

All electrical components must be installed by a licensed electrician in accordance with the National Electric Code and the appropriate local electrical codes.



You will need 1-Candelabra Base Bulb

40 Watts recommended 60 Watts Max.

USE LED BULBS FOR EXTENDED USE

The fixture is Dry rated

HOW TO INSTALL:

Place the fixture parts on a soft cloth-covered platform before installation of fixture.

1. Install the mounting plate onto the outlet box.
2. Place the backplate over the mounting plate and secure with the screws.
3. Place the pleated shade over the fixture body.

WARNING: This product can expose you to Lead, which is known to the State of California to cause cancer and/or birth defects or reproductive harm. For more information go to www.p65warnings.ca.gov

CRYSTORAMA



Crystorama.com

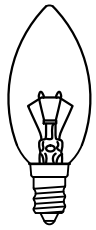
LIGHTING THE WAY FOR SIXTY YEARS

ASSEMBLY INSTRUCTION MODEL #GAM71001AG

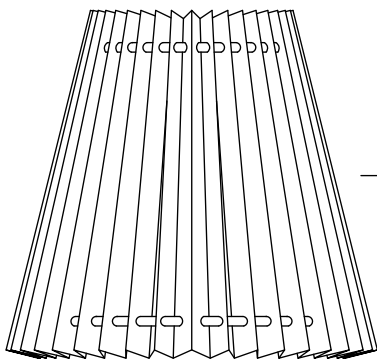
Part Number

Part Numbers

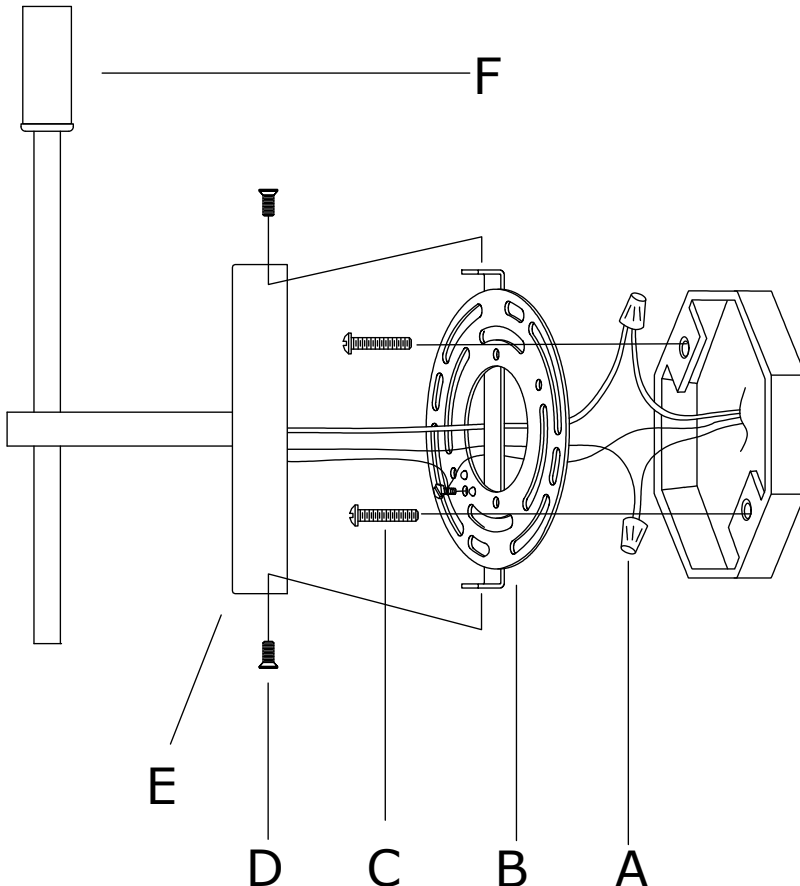
- A. (1)-Wire Connector
- B. (1)-Mounting Plate
- C. (2)-Mounting Screw
- D. (2)-Screw
- E. (2)-Backplate ; W4 3/4", H 3/4"
-XSN71001AGBKP4.75IN
- F. (1)-Fixture body
- G. (1)-Pleated Shade-XSN71001AGSHA6.5IN



(Bulb not included)



G



Outlet Box