

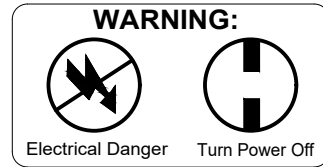
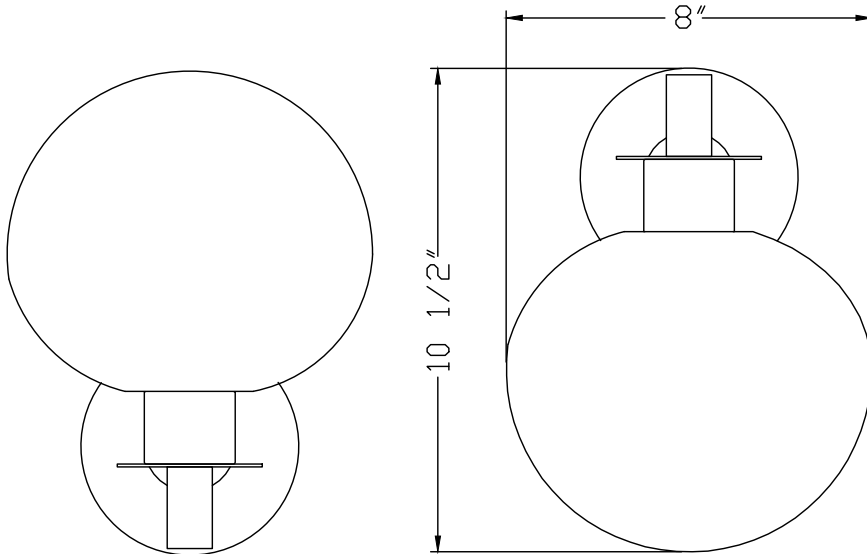
CRYSTORAMA

LIGHTING THE WAY FOR SIXTY YEARS

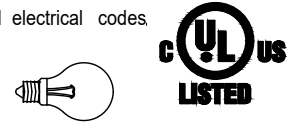


ASSEMBLY INSTRUCTION MODEL #GIG811BKAG

FRONT VIEW



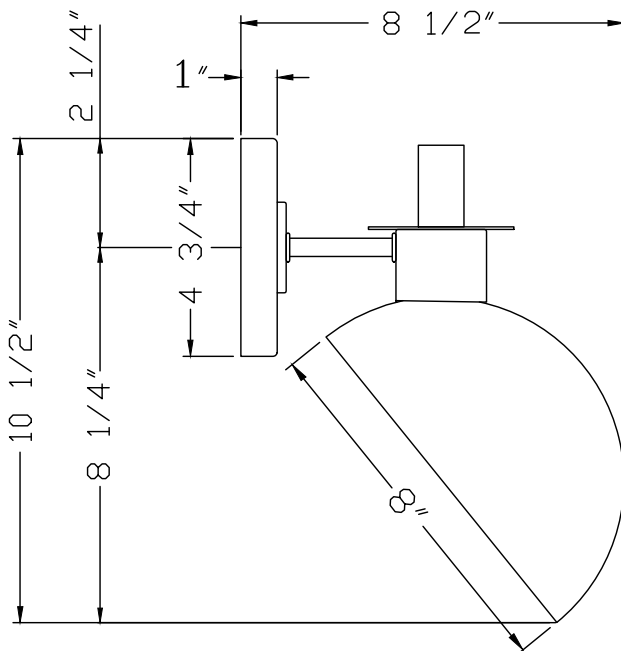
All electrical components must be installed by a licensed electrician in accordance with the National Electric Code and the appropriate local electrical codes.



You will need 1- Medium Base Bulb
60 Watts recommended 100 Watts Max.
USE LED BULBS FOR EXTENDED USE

The fixture is Damp rated

SIDE VIEW



HOW TO INSTALL:

Place the fixture parts on a soft cloth-covered platform before installation of fixture.

1. Install the mounting plate to the outlet box using two mounting screws.
2. Install backplate onto the mounting plate, and secure with the screws.
3. Install the metal shade onto the socket and secure with the socket ring.

WARNING: This product can expose you to Lead, which is known to the State of California to cause cancer and/or birth defects or reproductive harm. For more information go to www.p65warnings.ca.gov

CRYSTORAMA

LIGHTING THE WAY FOR SIXTY YEARS

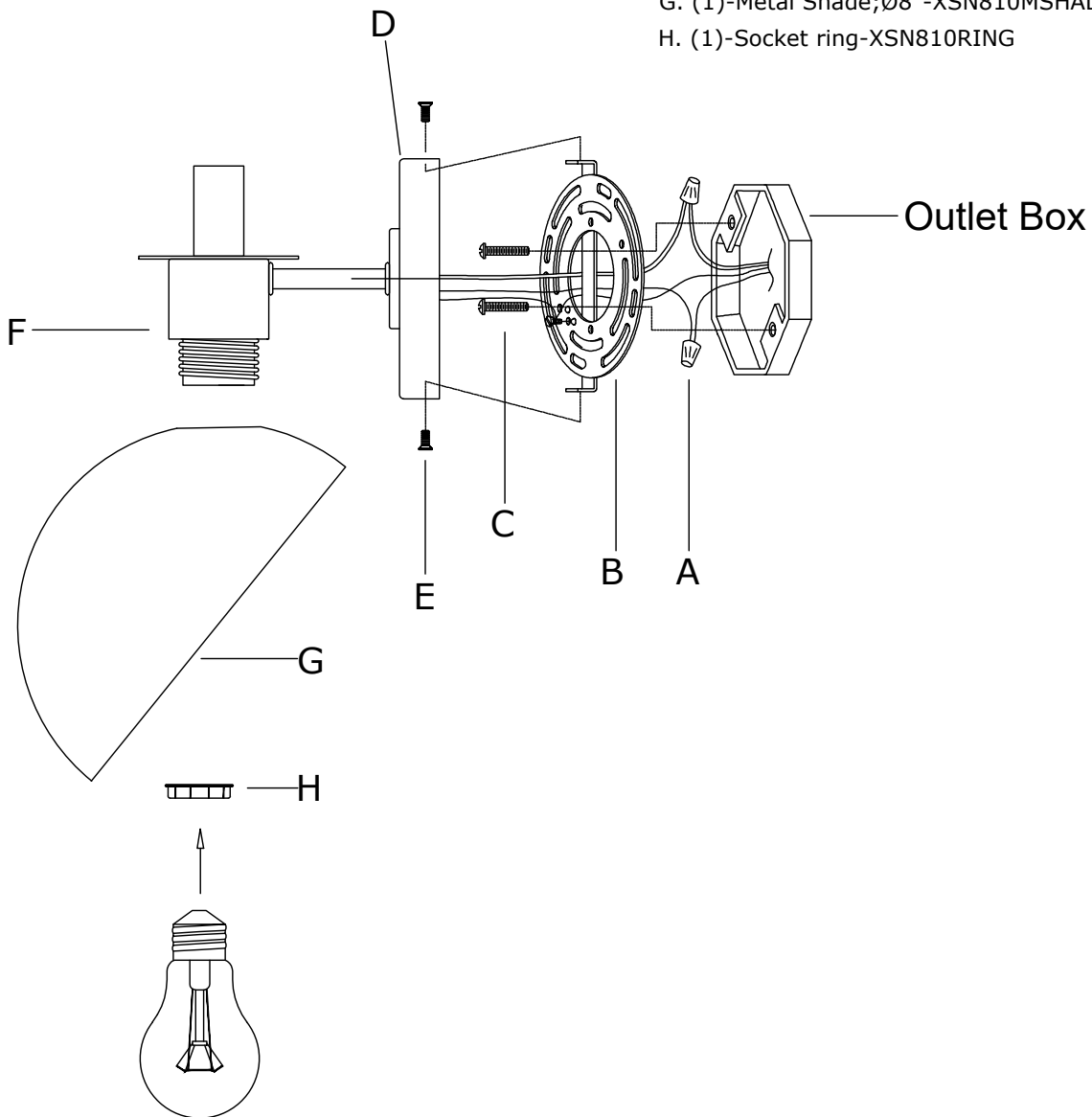


ASSEMBLY INSTRUCTION MODEL #GIG811BKAG

Part Number

Part Numbers

- A. (2)-Wire Connector
- B. (1)-Mounting plate
- C. (2)-Mounting Screw
- D. (1)-Backplate; W4 3/4"x H 1 " ; with 2 side holes.
-XSN811BKAGBKP4.75IN
- E. (2)-Screw
- F. (1)-Socket
- G. (1)-Metal Shade;Ø8"-XSN810MSHADE8IN
- H. (1)-Socket ring-XSN810RING



(Bulb not included)