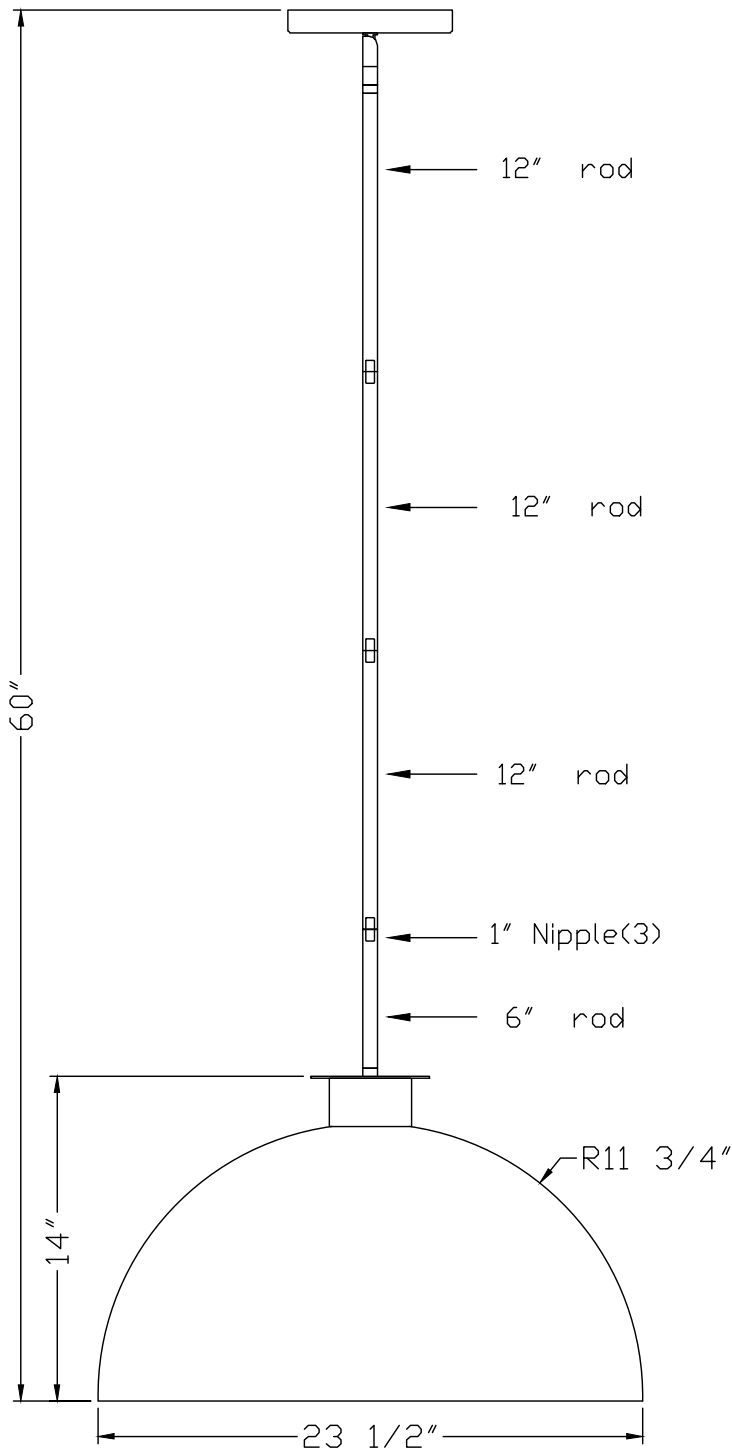


CRYSTORAMA

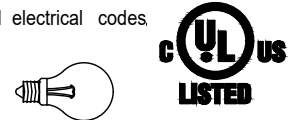
LIGHTING THE WAY FOR SIXTY YEARS



ASSEMBLY INSTRUCTION MODEL #GIG815BKAG



All electrical components must be installed by a licensed electrician in accordance with the National Electric Code and the appropriate local electrical codes.



You will need 1- Medium Base Bulb
60 Watts recommended 100 Watts Max.
USE LED BULBS FOR EXTENDED USE

The fixture is Damp rated

HOW TO INSTALL:

Place the fixture parts on a soft cloth-covered platform before installation of fixture.

1. Determine the desired hanging height and choose the correct length of rods.
2. Feed fixture wires through the rod and canopy.
Connect the rods together and then screw the canopy onto the top of rods.
3. Install the mounting plate to the outlet box using two mounting screws.
4. Install canopy onto the mounting plate, and secure with the screws.
5. Install shade assembly onto the socket and secure with socket ring.

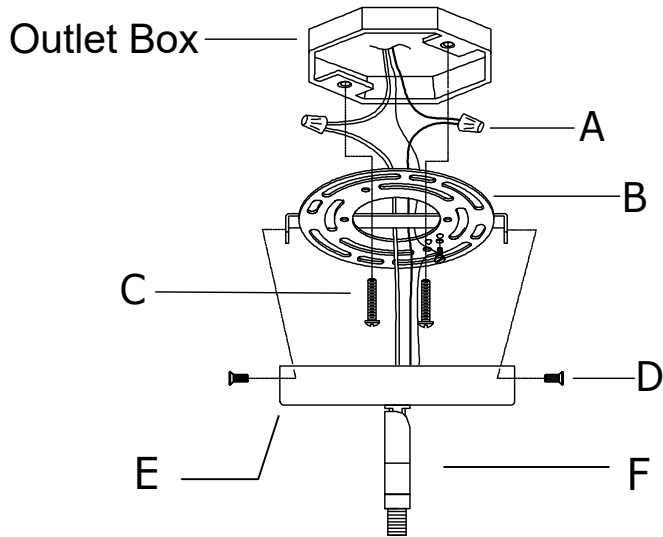
WARNING: This product can expose you to Lead, which is known to the State of California to cause cancer and/or birth defects or reproductive harm. For more information go to www.p65warnings.ca.gov

CRYSTORAMA

LIGHTING THE WAY FOR SIXTY YEARS



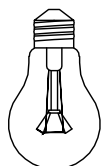
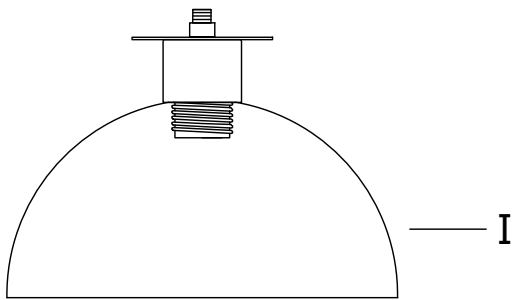
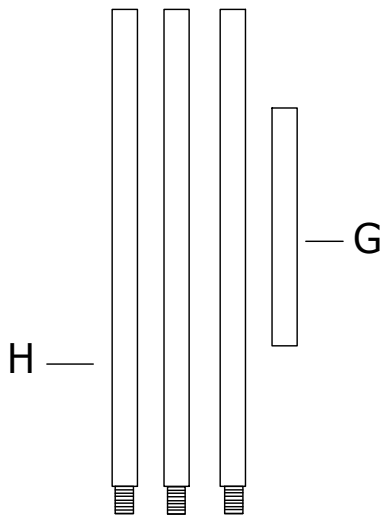
ASSEMBLY INSTRUCTION MODEL #GIG815BKAG



Part Number

Part Numbers

- A. (2)-Wire Connector
- B. (1)-Mounting plate
- C. (2)-Mounting Screw
- D. (2)-Screw
- E. (1)-Canopy; W7"x H 1 " ; with 2 side holes.
-XSN815BKAGCAN71N
- F. (1)-Swivel
- G. (1)-H6" ROD-XSN813BKAGROD6IN
- H. (3)-H12" ROD-XSN813BKAGROD12IN
- I. (1)-Shade assembly ; Ø23.5"-XSN815MSHADE23.5IN
- J. (1)-Socket ring-XSN813RING



(Bulb not included)