

CRYSTORAMA

LIGHTING THE WAY FOR SIXTY YEARS

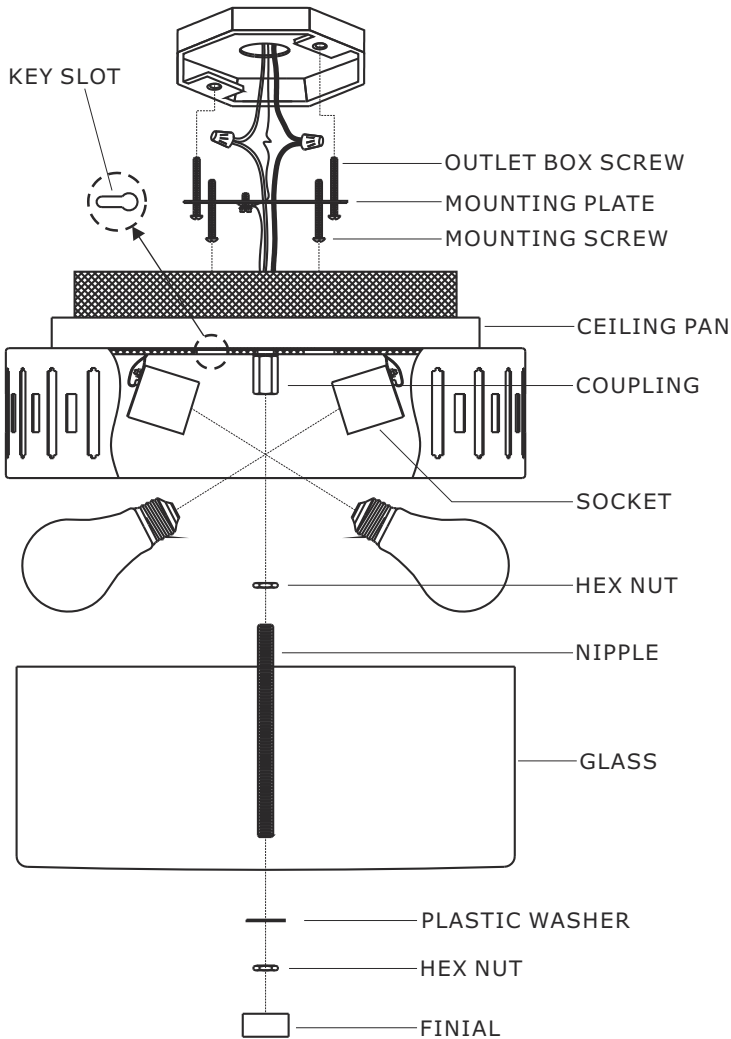
ASSEMBLY INSTRUCTION MODEL#KEA-B8200-PN



All electrical components must be installed by a licensed electrician in accordance with the National Electric Code and the appropriate local electrical codes.

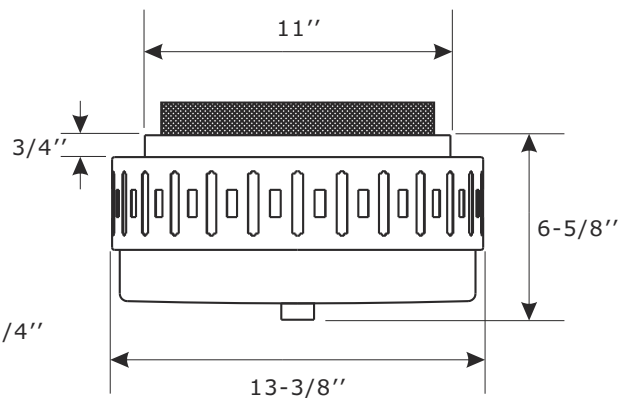
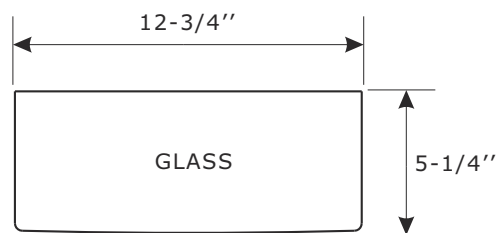


You will need 2-Medium Base Bulb
40 Watts Recommended 60 Watts Max.
USE LED BULBS FOR EXTENDED USE
This fixture is Damp rated



How to install

1. Thread the mounting screws into the matching holes in the mounting strap. Secure the mounting strap to outlet box with the outlet box screws.
2. Connect fixture wires to supply wires in outlet box.
3. Raise ceiling pan up allowing for the mounting screws to protrude through key slots on the ceiling pan. Rotate ceiling pan clockwise until mounting screws are in narrow part of key slots, tighten with screwdriver.
4. Install the bulb(not included) into socket.
5. Thread the nipple onto the coupling and adjust the length of nipple to fit with the glass. Tighten it with hex nut.
6. Slide the glass and the plastic washer over the nipple, then secure with the hex nut and finial.



WARNING: This product can expose you to Lead which is known to the state of California to cause cancer and/or birth defects or reproductive harm. For more information go to www.P65Warnings.ca.gov

CRYSTORAMA

LIGHTING THE WAY FOR SIXTY YEARS

ASSEMBLY INSTRUCTION MODEL#KEA-B8200-PN

Part Number

Part Numbers

- A. (1)-Mounting hardware
- B. (1)-Ceiling pan
- C. (2)-Socket
- D. (2)-Hex nut
- E. (1)-Nipple
- F. (1)-Glass #XRF8200GLA12.75IN
- G. (1)-Plastic washer
- H. (1)-Finial #XRF8200PNFIN

