

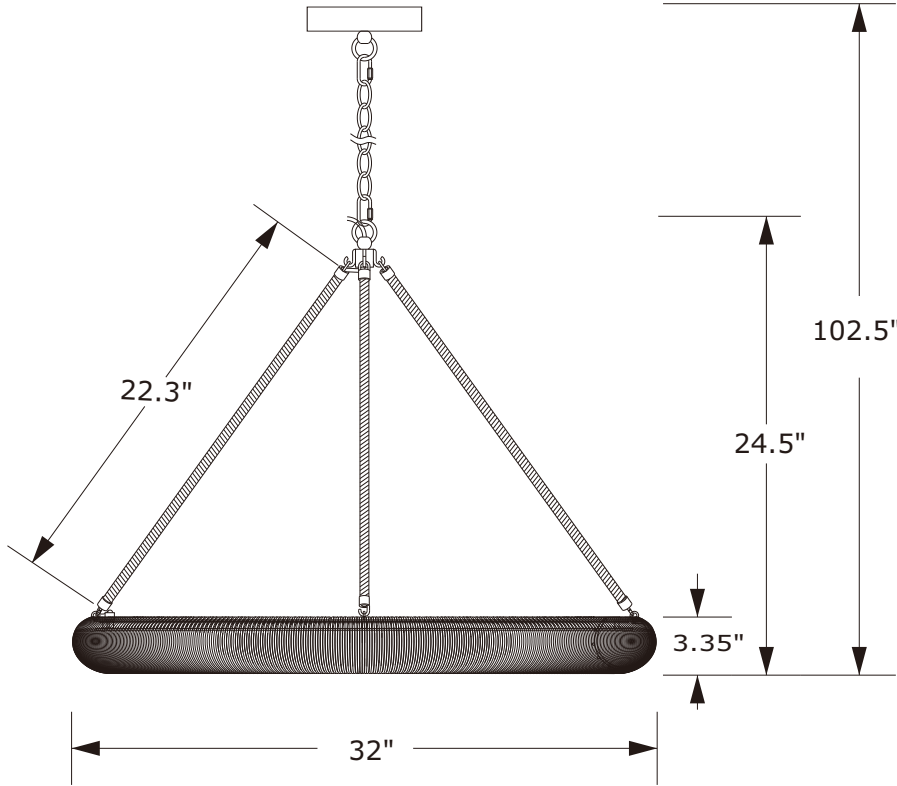
# CRYSTORAMA

LIGHTING THE WAY FOR SIXTY YEARS



Crystorama.com

## ASSEMBLY INSTRUCTION MODEL # OAK-7538-SG

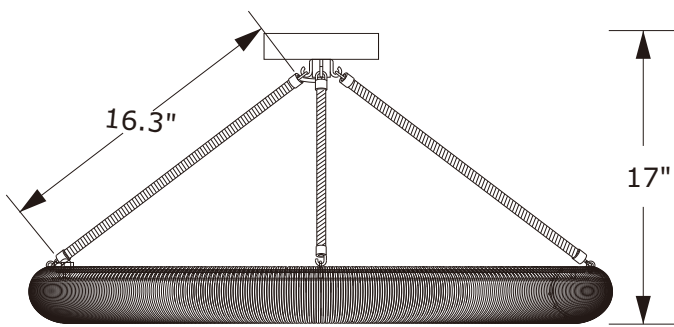


All electrical components must be installed by a licensed electrician in accordance with the National Electric Code and the appropriate local electrical codes.



FIXTURE USES INTEGRATED LEDES (INCLUDED)  
30 WATTS MAX  
THIS FIXTURE IS DRY RATED

### How to install



: cf < Ub [ ]b [ .  
% "8YVXY hY dfYZffYX \ Ub [ ]b [ \ Y [ \ h UbX' W ccgY hY Vc ffYVh' Yb [ h' cZ WXU] b UbX' Z] hi fY' k ]fY' 'K \ Yb' W H]b [ ' hY' Z] hi fY' k ]fYz' fYa cj Y' Ubmgh] W Yfgz' cb hY' gYVh] cb' VY]b [ ' fYa cj YXz' cbY' Uh' U' h]a Y' hc' Ybgi fY' hY' gh] W Yfg' Wb' VY' di h' VUW' Vc ffYVh' m'  
& "fYa cj Y' hY' cdYb' \ cc\_ ' cb' hY' ' cb [ ' fcX' hYb' h' fYUX' hY' k ]fYg' h' fci [ \ ' hY' cdYb' \ cc\_ ' UbX' hYb' hY' ' cb [ ' fcX' " H] [ \ hYb' hY' cdYb' \ cc\_ ' UbX' ' cb [ ' fcX' VUW' hc [ YhYf' " Fi b' hY' k ]fYg' h' fci [ \ ' hY' WXU] bž' ' ccd' UbX' Wb' cdmUbX' ]bgYfh' hY' Vi W' Y' cb' hY' YbX' cZ hY' k ]fYg' " A U\_Y' gi fY' hc' ' YUj' Y' Ybci [ \ ' k ]fY' hc' Vc' bbYVh' k ]h' hY' ' 77H' Xf] ] Yf"  
' "HU\_Y' hY' YbX' cZ hY' fcX' k ]h' Ub' cdYb' \ cc\_ ' UbX' UHUX' ]h' hc' hY' hc' d' cZ hY' Z] hi fY' ZUa' Y' hYb' UHUX' hY' chYf' YbX' cbhc' hY' ' ccd' ]h' ("7cbbYVh' hY' Z] hi fY' k ]fYg' hc' hY' ' 77H' gk ]hX' Zc' ' ck ]b [ ' hY' k ]f]b [ ' X]U] fUa' ' cb' hY' Zc' ' ck ]b [ ' dU] Y' a' UHUX' ]b [ ' hY' ' YHf' cb' hY' k ]fY' gh] W Yf' k ]h' hY' ' YHf' cb' hY' ' 77H' gk ]hX' Yf' gh] W Yf' ' ' GYh' hY' Vc' cf' hYa' dYfUhi fY' Uh' h' ]g' ghYd' Vmg' ]X]b [ ' hY' Vi' Hcb' hc' hY' XYg] fYX' Vc' cf' hYa' dYfUhi fY' f&+ \$ \$ \_ ' cf' ' \$\$\$ \_ E"  
) "FU]gY' hY' Z] hi fY' i' d' hc' hY' W] ]b [ ' UbX' Vc' bbYVh' hY' Xf] ] Yf' k ]fYg' k ]h' hY' ' \ ci' gY' k ]fYg' ' ' GYW' fY' hY' Wb' cdmk ]h' ' gWYk' g"

: cf 7Y ]b [ .  
% " fYa cj Y' hY' \ cc\_ ' UbX' ' ccd' Zfca' hY' YbXg' cZ hY' ' cb [ ' fcX' & " fYdYUh' ghYd' , %d ) ' UVcj' Yz' i' g]b [ ' hY' g' \ cf' h' fcX' ] bghYUX' cZ hY' ' cb [ ' fcX'

**WARNING:** This product can expose you to Lead, which is known to the State of California to cause cancer and/or birth defects or reproductive harm. For more information go to [www.P65Warnings.ca.gov](http://www.P65Warnings.ca.gov).

# CRYSTORAMA

LIGHTING THE WAY FOR SIXTY YEARS



Crystorama.com

PART NUMBER MODEL # OAK-7538-SG

## Part Number

- A. (1) - Mounting Hardware
- B. (1) - Canopy(W6. 30",H1. 57")#XRE7536SGCAN6. 30IN
- C. (2) - Fixture Loop
- D. (2) - Quick Link
- E. (1) - Hanging Chain(72",4.0mm)#XRE7538SGCHA4.0MM
- F. (1) - Loop Kit
- G. (3) - Long Rod(22",9.3mm) #XRE7538SGSTEM22IN
- H. (1) - Frame
- I. (3) - Short Rod(16",9.3mm) #XRE7538SGSTEM16IN

