

# CRYSTORAMA

LIGHTING THE WAY FOR SIXTY YEARS



Crystorama.com

## ASSEMBLY INSTRUCTION MODEL #VSS-7003-LG

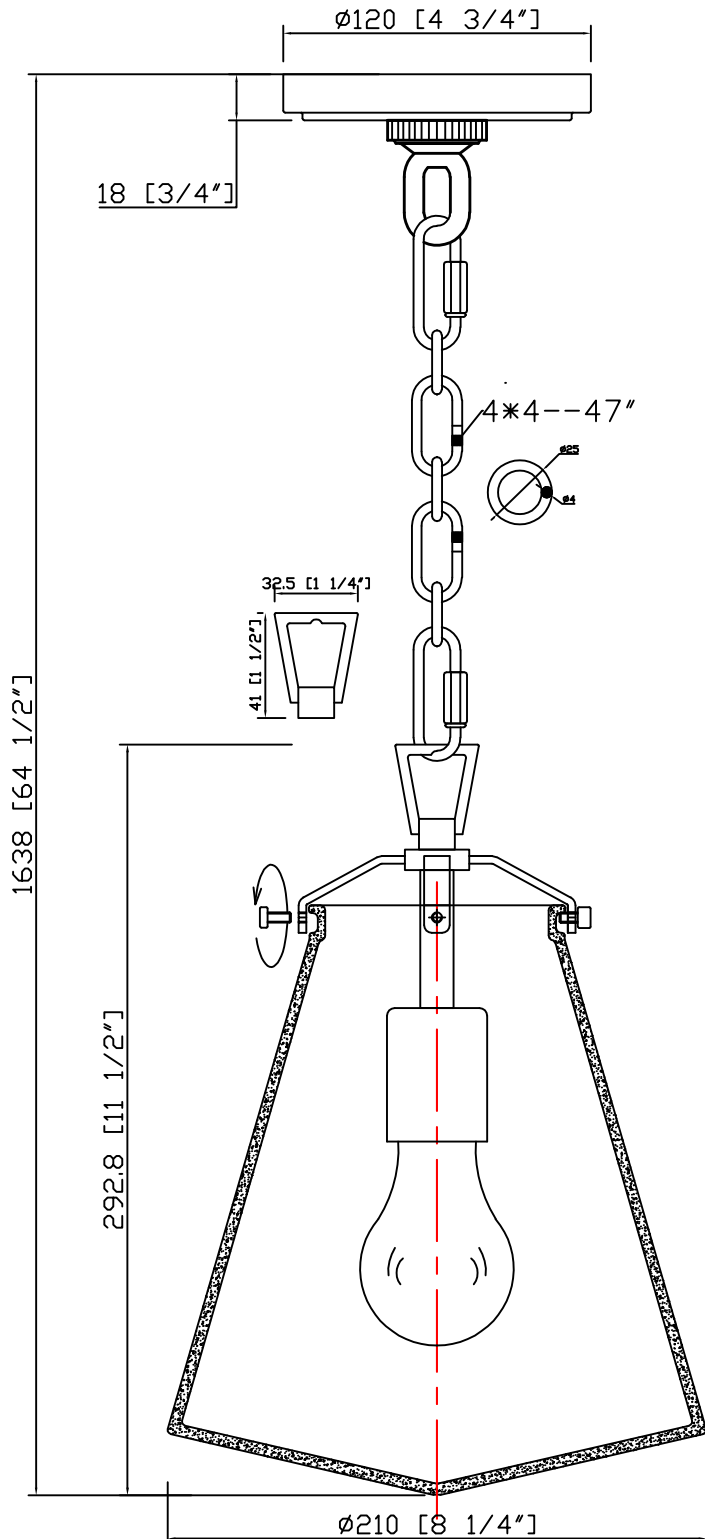


All electrical components must be installed by a licensed electrician in accordance with the National Electric Code and the appropriate local electrical codes.



You will need 1 – Med Bulb  
60 Watts Recommended 100 Watts Max

USE LED BULBS FOR EXTENDED USE  
This fixture is Damp rated.



### How to Install

1. Install the mounting plate onto the outlet box using two outlet box screws.
2. Decide the preferred hanging height and choose the correct length of chain needed.
3. Raise the frame up to the ceiling and do the wire connection. Secure the canopy with collar loop ring.
4. Install the bulb onto the socket and Slide the glass over the light cluster and let the spoke hold the glass using the cap nuts. Do not over tighten it to prevent the glass from breaking.



WARNING: This product can expose you to Lead, which is known to the State of California to cause cancer and/or birth defects or reproductive harm. For more information go to [www.P65Warnings.ca.gov](http://www.P65Warnings.ca.gov)

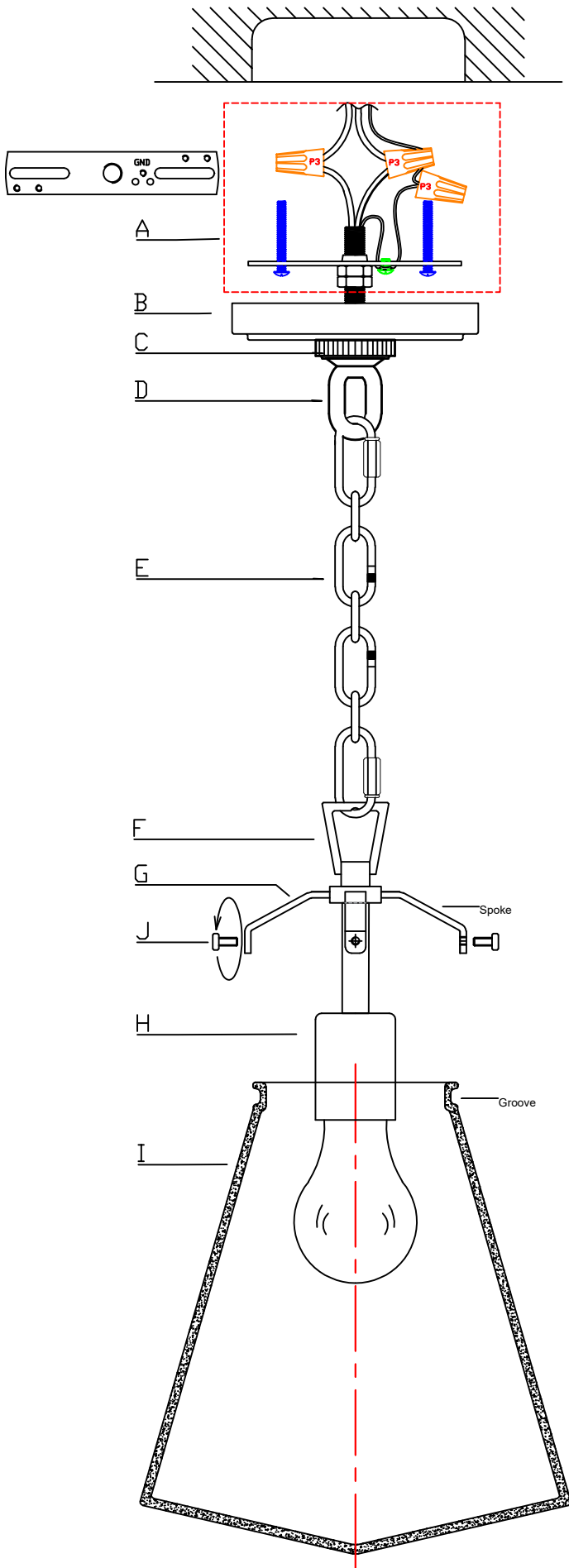
# CRYSTORAMA

LIGHTING THE WAY FOR SIXTY YEARS



Crystorama.com

## ASSEMBLY INSTRUCTION MODEL #VSS-7003-LG



### Part Number

#### Part Numbers

- A. (1)-Mounting hardware
- B. (1)-Canopy W4-3/4"\*H3/4"  
(XAR7003LGCAN4.75IN)
- C. (1)-Collar loop ring
- D. (1)-Screw collar loop
- E. (1)-Chain T4MM\*L47"  
(XAR7002LGCHA4MM)
- F. (1)-Fixture loop
- G. (1)-Frame
- H. (1)-Light cluster
- I. (1)-Clear glass shade Ø8.25"\*H9"  
(XAR7003GLA8.25IN)
- J. (4)-Cap nut