

CRYSTORAMA

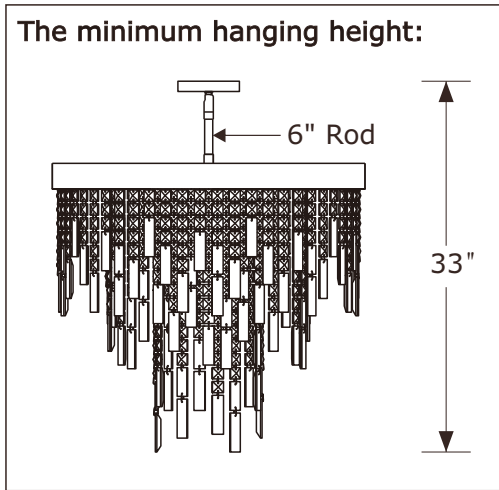
LIGHTING THE WAY FOR SIXTY YEARS



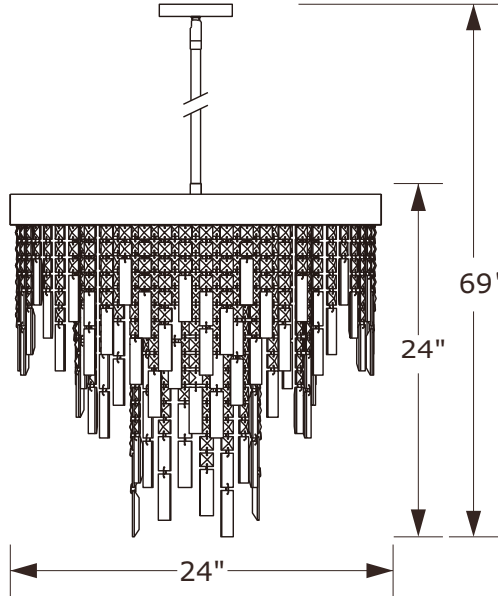
Crystorama.com

ASSEMBLY INSTRUCTION MODEL #WIN-216-GA-CL-MWP

The minimum hanging height:



DETAILED ILLUSTRATION

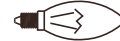


WARNING:



Electrical Danger Turn Power Off

All electrical components must be installed by a licensed electrician in accordance with the National Electric Code and the appropriate local electrical codes.

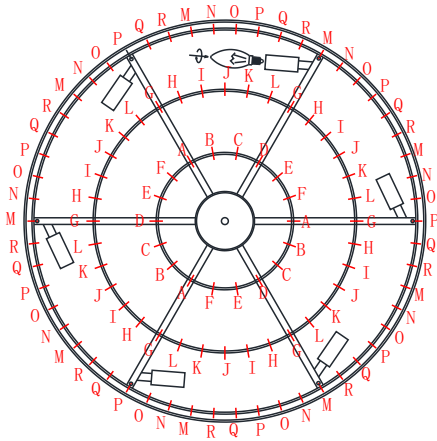


You will need 6 -Candelabra Base Bulb
40 Watts Recommended 60 Watts Max.
USE LED BULBS FOR EXTENDED USE
THIS FIXTURE IS DAMP RATED

How to Install

1. Do a complete inventory of all parts and components before you start installation.
2. Attach all four rods together, making sure the 6" rod is installed and located at the top.
3. Feed fixture wiring through the rod assembly prior to connection.
4. Attach the bottom of the rod assembly (end with 12" rod) to the fixture frame.
5. Attach the top of the rod assembly (end with 6" rod) to the swivel.
6. Insert recommended bulb (not included).
7. Dress the fixture with crystal as illustrated.

SUGGESTED CRYSTAL PLACEMENT TOP VIEW PLEASE REFERENCE CRYSTAL KEY



Crystal Key

- A = [Crystal diagram]
- B = [Crystal diagram]
- C = [Crystal diagram]
- D = [Crystal diagram]
- E = [Crystal diagram]
- F = [Crystal diagram]
- G = [Crystal diagram]
- H = [Crystal diagram]
- I = [Crystal diagram]
- J = [Crystal diagram]
- K = [Crystal diagram]
- L = [Crystal diagram]
- M = [Crystal diagram]
- N = [Crystal diagram]
- O = [Crystal diagram]
- P = [Crystal diagram]
- Q = [Crystal diagram]
- R = [Crystal diagram]

- A.3 Sets.
(11)22X22mm+(1)22X56mm+(1)22X76mm
- B.3 Sets.
(15)22X22mm+(1)22X76mm
- C.3 Sets.
(14)22X22mm+(1)22X56mm+(1)22X76mm
- D.3 Sets.
(13)22X22mm+(1)22X76mm
- E.3 Sets.
(8)22X22mm+(1)22X56mm+(2)22X76mm
- F.3 Sets.
(13)22X22mm+(1)22X56mm+(1)22X76mm
- G.6 Sets.
(7)22X22mm+(1)22X76mm
- H.6 Sets.
(9)22X22mm+(1)22X76mm
- I.6 Sets.
(5)22X22mm+(1)22X56mm+(1)22X76mm
- J.6 Sets.
(10)22X22mm+(1)22X76mm

- K.6 Sets.
(8)22X22mm+(1)22X56mm+(1)22X76mm
- L.6 Sets.
(6)22X22mm+(1)22X56mm+(1)22X76mm
- M.9 Sets.
(4)22X22mm+(1)22X76mm
- N.9 Sets.
(6)22X22mm+(1)22X76mm
- O.9 Sets.
(3)22X22mm+(1)22X76mm
- P.9 Sets.
(4)22X22mm+(1)22X56mm+(1)22X76mm
- Q.9 Sets.
(5)22X22mm+(1)22X76mm
- R.9 Sets.
(2)22X22mm+(1)22X76mm

WARNING: This product can expose you to Lead, which is known to the State of California to cause cancer and/or birth defects or reproductive harm. For more information go to www.P65Warnings.ca.gov.

PART NUMBER MODEL #WIN-216-GA-CL-MWP

Part Number

- A. (1) - Mounting Hardware
- B. (1) - Canopy(W5",H0.79") #XRE215GACAN5IN
- C. (1) - Swivel
- D. (5) - Threaded Pipe
- E. (1) - Rod(6",15.9mm) #XRE215GAROD6IN
- F. (3) - Rod(12",15.9mm) #XRE215GAROD12IN
- G. (6) - Ball Nut # XRE212GABANUT
- H. (1) - Metal Frame
- I. (1) - Finial # XRE215GAFIN
- J. (5) - Flat Screw

