

CRYST RAMA



1958

95 Cantiague Rock Road, Westbury NY 11590

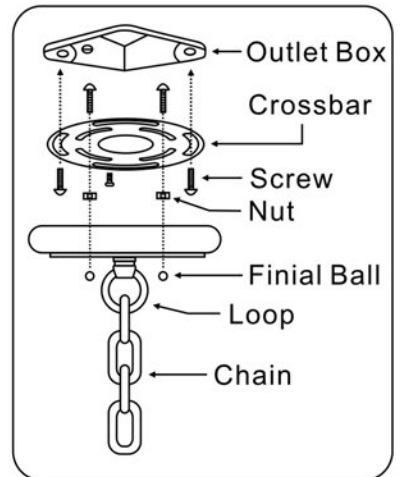
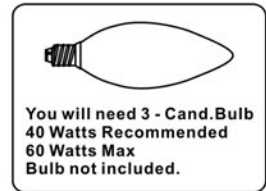
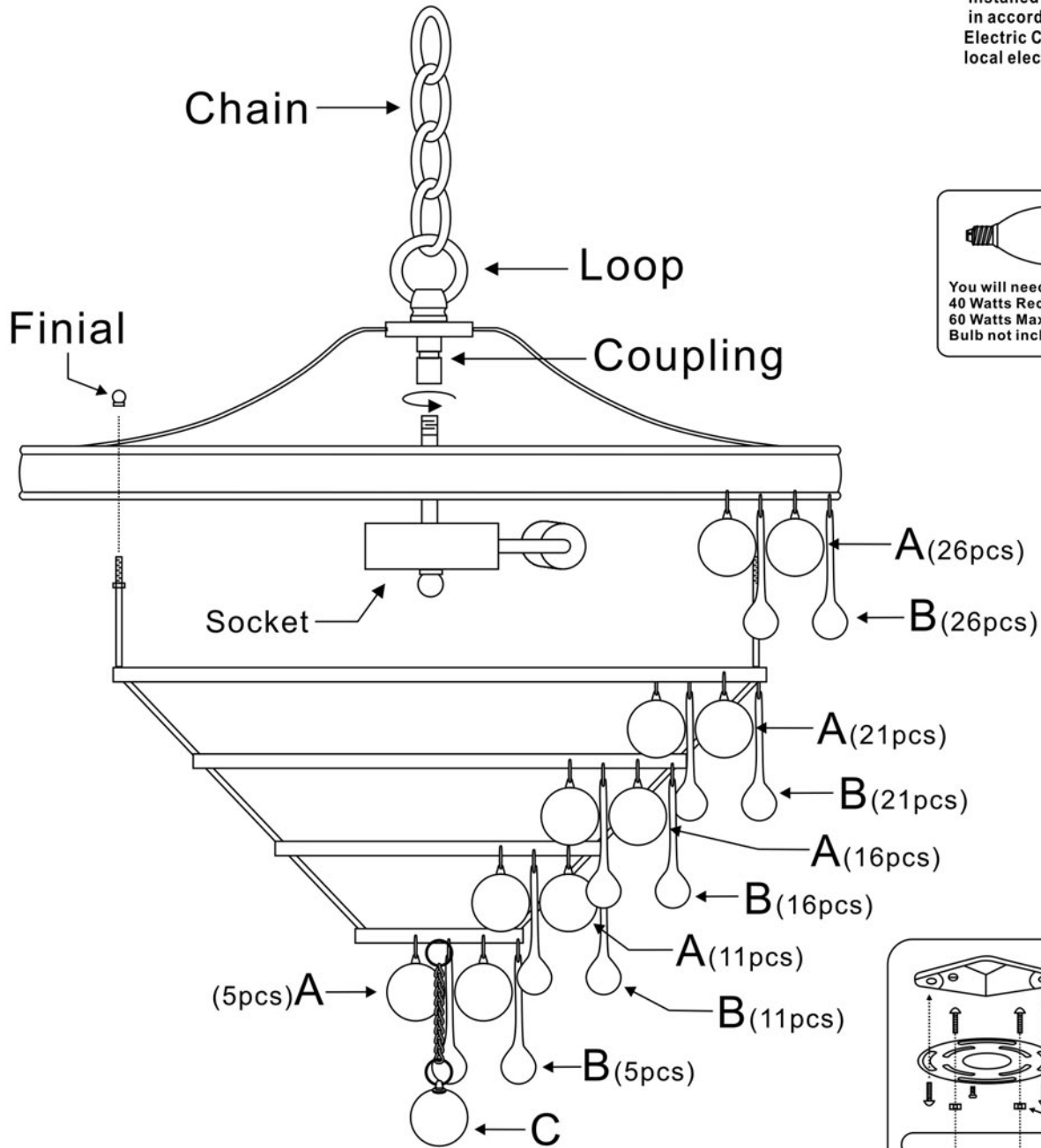
ph: 516.931.9090 fax: 516.931.1254

info@crystorama.com www.crystorama.com

MODEL#: 130 ASSEMBLY AND DRESSING INSTRUCTIONS



All electrical components must be installed by a licensed electrician in accordance with the National Electric Code and the appropriate local electrical codes.



- A= 30mm * 79sets (Spare Parts: 2sets)
- B= 76mm * 79sets (Spare Parts: 4sets)
- C= (30mm Ball with chain) * 1set